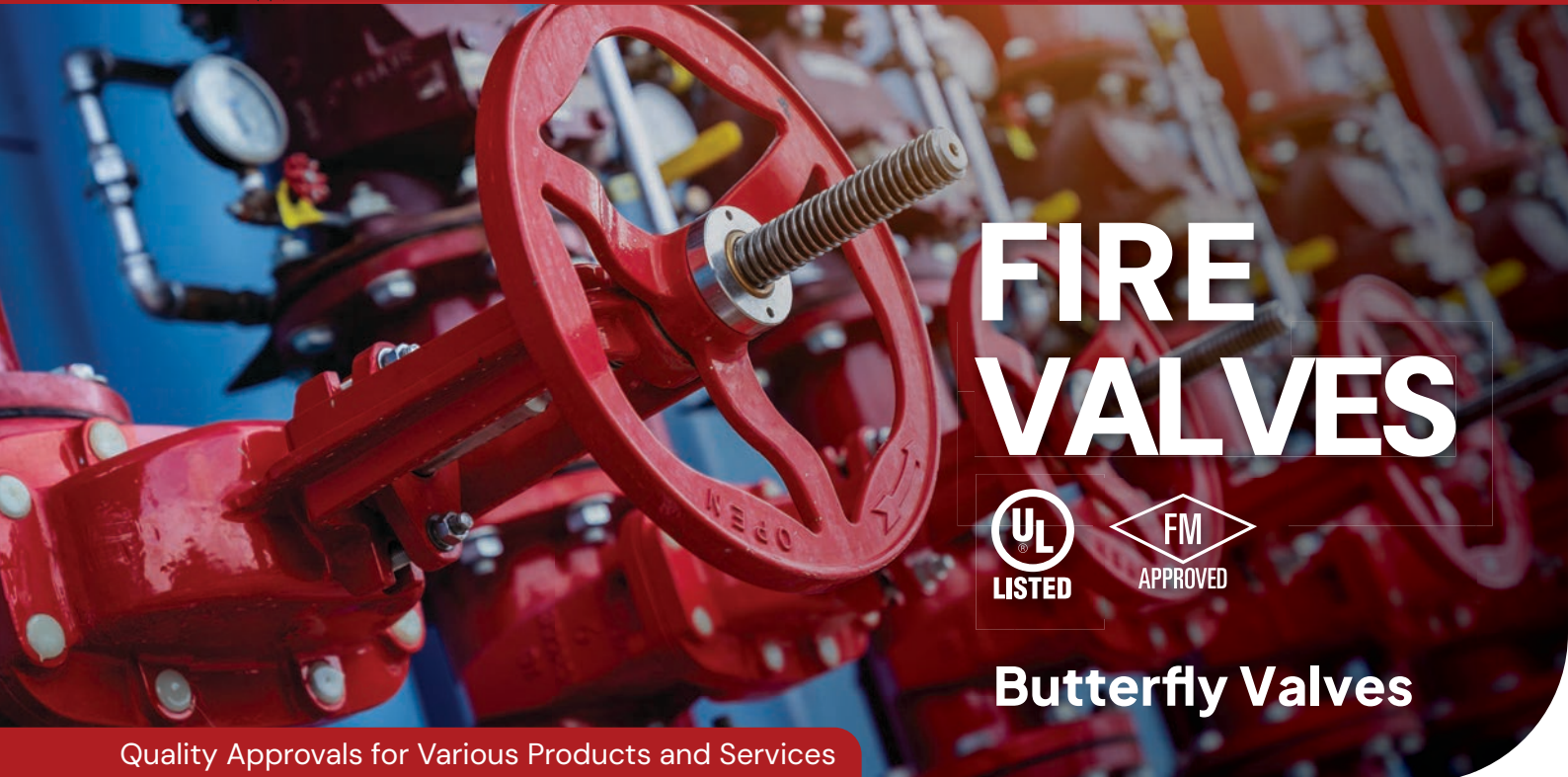




شركة المصنع السعودي لأجهزة الإطفاء  
SAUDI FACTORY FOR FIRE EQUIPMENT Co.

Empowering  
a Safer Future for  
the Kingdom



# FIRE VALVES



Butterfly Valves

Quality Approvals for Various Products and Services



# Butterfly Valves

200 / 250 / 300 psi



Butterfly Valve with Built-in Supervisory Switch & Indicator - Wafer End

SF-BV-25-W-200

SF-BV-25-W-250

SF-BV-25-W-300

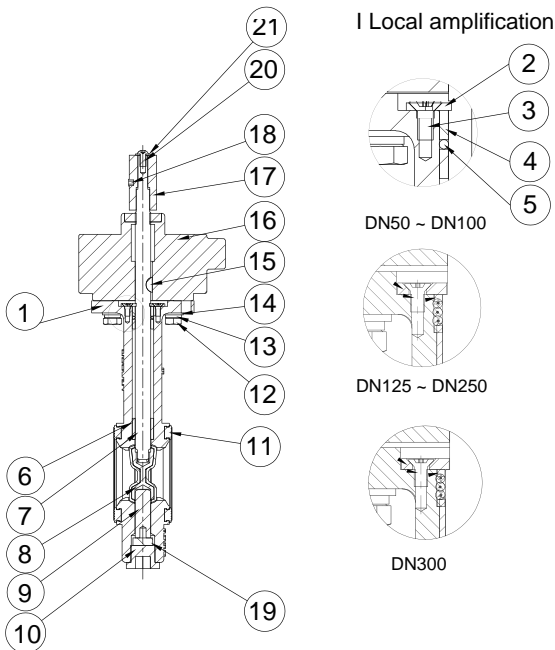


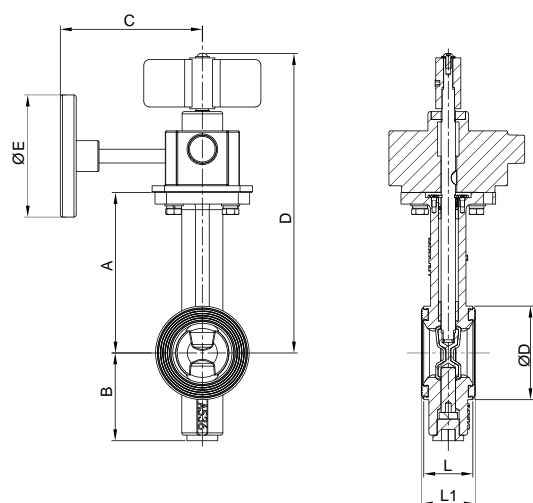
## Technical Specification:

- ❖ Valve Standard           UL1091 / FM1112
- ❖ Test Standard            UL1091 / FM1112
- ❖ Working Pressure        200PSI / 250PSI / 300PSI
- ❖ Working Temperature   -20°C~ 100°C
- ❖ Connection Ends         ASME B16.42, Class150

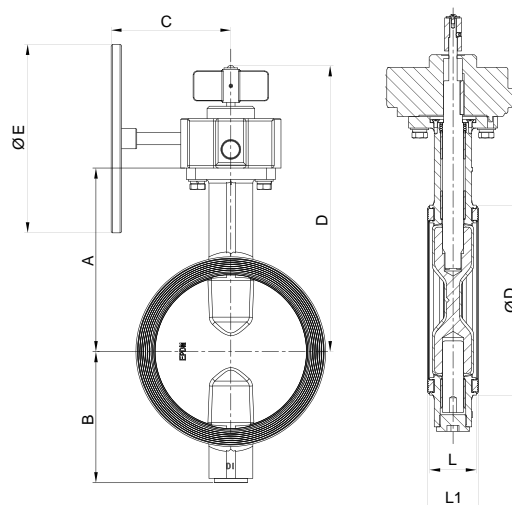
## Material Specification:

No.	Part	Material	Specification
1	Body	Ductile Iron	ASTMA536 65-45-12
2	Upper Shaft Gland	Galvanized Carbon Steel	--
3	Cross Recessed Countersunk Head Screw	Galvanized Carbon Steel	--
4	Short Shaft Sleeve	Bronze (DN50 ~ DN100)	C63000
4	Short Shaft Sleeve	Carbon Steel (DN125 ~ DN300)	--
5	O-Ring	EPDM	--
6	Long Shaft Sleeve	Bronze (DN50 ~ DN100)	C63000
	Long Shaft Sleeve	Carbon Steel (DN125 ~ DN300)	--
7	Upper Shaft	Stainless Steel	SS410
8	Disc	Ductile Iron+EPDM	ASTMA536 65-45-12
9	Lower Shaft	Stainless Steel	SS410
10	Hex Socket Plug	Stainless Steel	SS304
11	Sealing Ring	EPDM	--
12	Hexagon Head Bolt	Stainless Steel	SS304
13	Spring Gasket	Stainless Steel	SS304
14	Flat Gasket	Stainless Steel	SS304
15	Half-round Key	Steel	45#
16	Electrical Turbine Box	Ductile Iron	GGG40
17	Indicator	Ductile Iron	ASTMA536 65-45-12
18	Hexagon Flat End Setting Screw	Galvanized Carbon Steel	--
19	Adjusting Washer (DN50, DN100)	EPDM	--
20	Hex Socket Round Head Screw	Stainless Steel	SS304
21	Large Flat Pad Class A	Stainless Steel	SS304

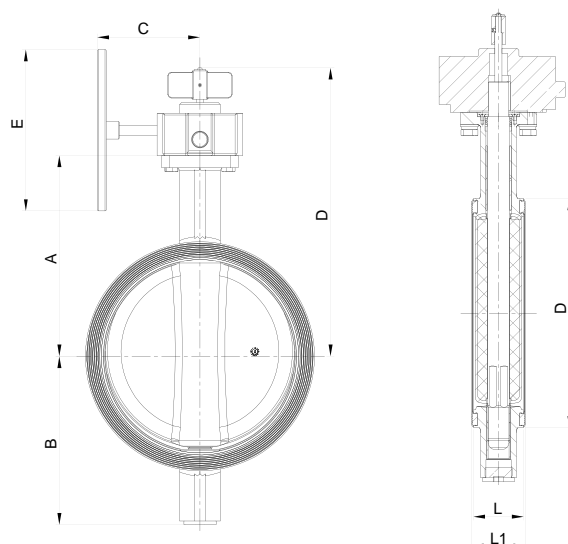




DN50 ~ DN100



DN125 ~ DN250



DN300

### Dimension:

DN	INCH	A (mm)	B (mm)	C (mm)	D (mm)	L (mm)	L1 (mm)	øD	øE
50	2"	140.50	77.00	110.00	262.40	43.00	47.00	ø82.00	ø108.00
65	2½"	152.50	80.00	110.00	274.50	46.00	51.00	ø97.00	ø108.00
80	3"	157.50	87.00	110.00	279.50	46.00	51.00	ø109.00	ø108.00
100	4"	176.00	108.00	110.00	298.00	52.00	57.00	ø140.00	ø108.00
125	5"	191.00	131.50	133.00	318.80	56.00	61.00	ø165.00	ø150.00
150	6"	202.50	143.50	187.00	330.25	56.00	61.00	ø198.00	ø150.00
200	8"	243.50	174.00	187.00	379.25	62.00	67.00	ø252.00	ø250.00
250	10"	273.00	207.50	187.00	409.00	68.00	73.00	ø304.00	ø250.00
300	12"	311.00	261.00	187.00	465.00	78.00	83.00	ø355.00	ø250.00

# Butterfly Valves

## 200 / 250 / 300 psi



Lugged Butterfly Valve with Signal Gear Box

SF-BV-25-L-200

SF-BV-25-L-250

SF-BV-25-L-300

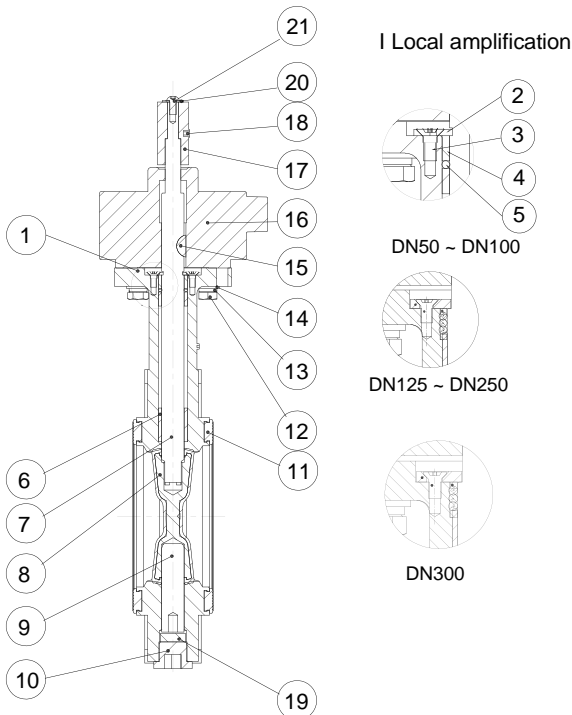


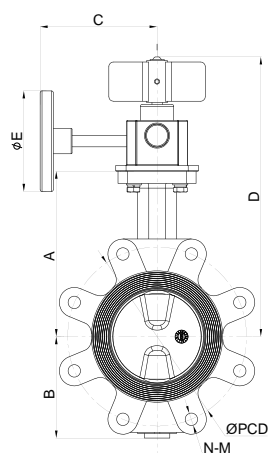
### Technical Specification:

- ❖ Valve Standard           UL1091 / FM1112
- ❖ Test Standard            UL1091 / FM1112
- ❖ Working Pressure        200PSI / 250PSI / 300PSI
- ❖ Working Temperature   -20°C~ 100°C
- ❖ Connection Ends        ASME B16.42, Class150

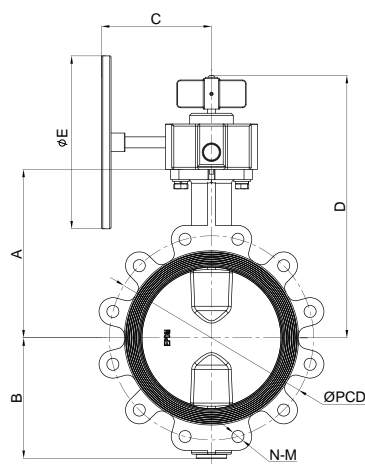
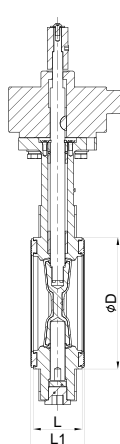
### Material Specification:

No.	Part	Material	Specification
1	Body	Ductile Iron	ASTMA536 65-45-12
2	Upper Shaft Gland	Galvanized Carbon Steel	--
3	Cross Recessed Countersunk Head Screw	Galvanized Carbon Steel	--
4	Short Shaft Sleeve	Bronze/Carbon Steel	C63000/--
5	O-Ring	EPDM	--
6	Long Shaft Sleeve	Bronze/Carbon Steel	C63000/--
7	Upper Shaft	Stainless Steel	SS410
8	Disc	Ductile Iron+EPDM	ASTMA536 65-45-12
9	Lower Shaft	Stainless Steel	SS410
10	Hex Socket Plug	Stainless Steel	SS304
11	Sealing Ring	EPDM	--
12	Hexagon Head Bolt	Stainless Steel	SS304
13	Spring Gasket	Stainless Steel	SS304
14	Flat Gasket	Stainless Steel	SS304
15	Half-Round Key	Steel	45#
16	Electrical Turbine Box	Ductile Iron	GGG40
17	Indicator	Ductile Iron	ASTMA536 65-45-12
18	Hexagon Flat End Setting Screw	Galvanized Carbon Steel	--
19	Adjusting Washer (DN50, DN100)	EPDM	--
20	Large Falt Pad Class A	Stainless Steel	SS304
21	Hex Socket Round Head Screw	Stainless Steel	SS304
20	Hex Socket Round Head Screw	Stainless Steel	SS304
21	Large Falt Pad Class A	Stainless Steel	SS304

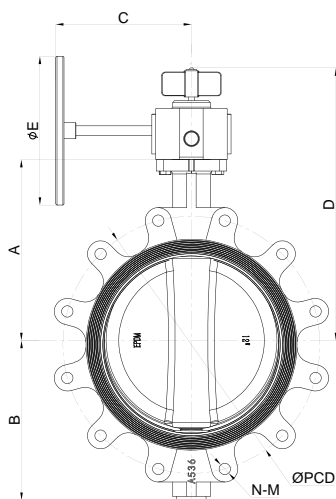
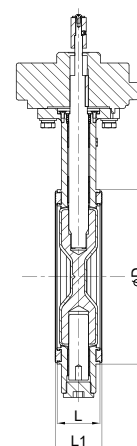




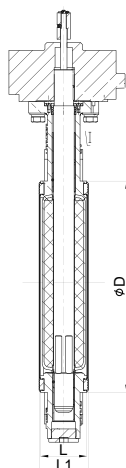
DN50 ~ DN100



DN125 ~ DN250



DN300



## Dimension:

DN	INCH	A (mm)	B (mm)	C (mm)	D (mm)	L (mm)	L1 (mm)	$\phi D$	$\phi E$	EN 1092-2 PN16		ASME B16.42 CL150	
										PCD	N-M	PCD	N-M
50	2"	140.5	77	110	262.4	43	47	$\phi 82.00$	$\phi 108.00$	$\phi 125.00$	4-M16	$\phi 120.70$	4-5/8-11 UNC
65	2½"	152.5	80	110	274.5	46	51	$\phi 97.00$	$\phi 108.00$	$\phi 145.00$	4-M16	$\phi 139.70$	4-5/8-11 UNC
80	3"	157.5	87	110	279.5	46	51	$\phi 109.00$	$\phi 108.00$	$\phi 160.00$	8-M16	$\phi 152.40$	4-5/8-11 UNC
100	4"	176	108	110	298	52	57	$\phi 140.00$	$\phi 108.00$	$\phi 180.00$	8-M16	$\phi 190.50$	8-5/8-11 UNC
125	5"	191	131.5	133	313.5	56	61	$\phi 165.00$	$\phi 150.00$	$\phi 210.00$	8-M16	$\phi 215.90$	8-3/4-10 UNC
150	6"	202.5	144	133	319	56	61	$\phi 198.00$	$\phi 150.00$	$\phi 240.00$	8-M20	$\phi 241.30$	8-3/4-10 UNC
200	8"	243.5	173.5	187	379	62	67	$\phi 252.00$	$\phi 250.00$	$\phi 295.00$	12-M20	$\phi 298.50$	8-3/4-10 UNC
250	10"	273	207.5	187	409	68	73	$\phi 304.00$	$\phi 250.00$	$\phi 355.00$	12-M24	$\phi 362.00$	12-7/8-9 UNC
300	12"	311	261	187	465	78	83	$\phi 355.00$	$\phi 250.00$	$\phi 410.00$	12-M24	$\phi 431.80$	12-7/8-9 UNC

# Butterfly Valves

200 / 250 / 300 psi



Grooved Butterfly Valve with Signal Gear Box

SF-BV-25-GG-200

SF-BV-25-GG-250

SF-BV-25-GG-300

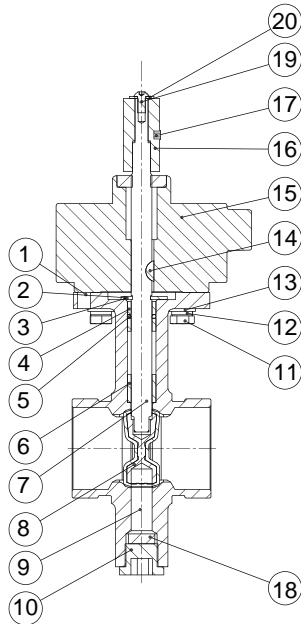


## Technical Specification:

❖ Valve Standard	UL1091 / FM1112
❖ Test Standard	UL1091 / FM1112
❖ Working Pressure	200PSI / 250PSI / 300PSI
❖ Working Temperature	-20°C~ 100°C
❖ Connection Ends	AWWA C606

## Material Specification:

No.	Part	Material	Specification
1	Body	Ductile Iron	ASTMA536 65-45-12
2	Upper Shaft Gland	Galvanized Carbon Steel	--
3	Cross Recessed		--
3	Countersunk	Galvanized Carbon Steel	--
3	Head Screw		--
4		Bronze (DN50 ~ DN100)	C63000
4	Short Shaft Sleeve	Carbon Steel	--
4		(DN125 ~ DN300)	
5	O-Ring	EPDM	--
6		Bronze (DN50 ~ DN100)	C63000
6	Long Shaft Sleeve	Carbon Steel	--
6	6	(DN125 ~ DN300)	
7	Upper Shaft	Stainless Steel	SS410
8	Disc	Ductile Iron+EPDM	ASTMA536 65-45-12
9	Lower Shaft	Stainless Steel	SS410
10	Hex Socket Plug	Stainless Steel	SS304
11	Hexagon Head Bolt	Stainless Steel	SS304
12	Spring Gasket	Stainless Steel	SS304
13	Flat Gasket	Stainless Steel	SS304
14	Half-Round Key	Steel	45#
15	Electrical Turbine Box	Ductile Iron	GGG40
16	Indicator	Ductile Iron	ASTMA536 65-45-12
17	Hexagon Flat End Setting Screw	Galvanized Carbon Steel	--
18	Rear Axle Pad (DN50, DN100)	EPDM	--
19	Hex Socket Flat Round Head Screw	Stainless Steel	SS304
20	Large Flat Pad Class A	Stainless Steel	SS304



I Local amplification



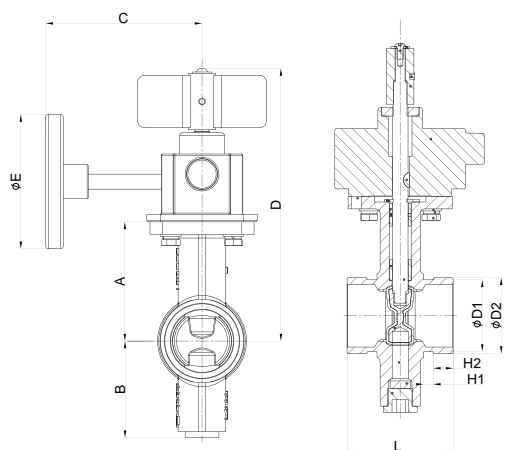
DN50 - DN100



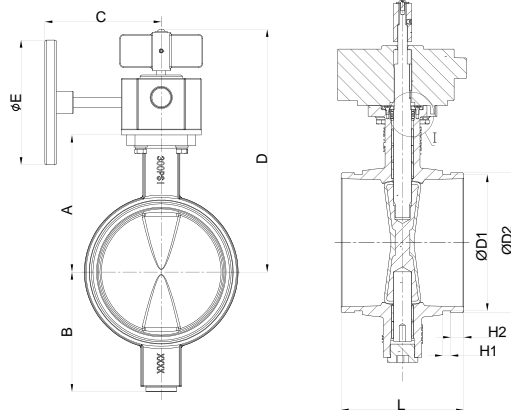
DN125 - DN250



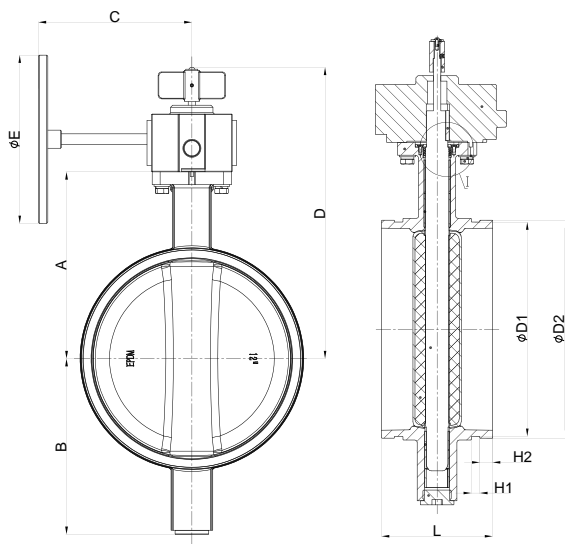
DN300



DN50 ~ DN100



DN125 ~ DN250



DN300

### Dimension:

DN	INCH	A (mm)	B (mm)	C (mm)	D (mm)	L (mm)	øE	AWWA C606			
								øD2	H1 (mm)	H2 (mm)	øD1
50	2"	95	77	110	217	84.5	ø108.00	ø60.33	7.93	15.88	ø57.15
65	2½"	98	80	110	220	98	ø108.00	ø73.03	7.93	15.88	ø69.09
80	3"	105	87	110	227	98	ø108.00	ø88.90	7.93	15.88	ø84.94
100	4"	135	108	110	256	116	ø108.00	ø114.30	9.53	15.88	ø110.08
125	5"	148	132	133	275	149	ø150.00	ø141.30	9.53	15.88	ø137.03
150	6"	165	144	133	292	147.6	ø150.00	ø168.28	9.53	15.88	ø163.96
200	8"	204	173	187	339	134	ø250.00	ø219.08	11.13	19.05	ø214.40
250	10"	245	208	187	380	160	ø250.00	ø273.05	12.7	19.05	ø268.28
300	12"	277.5	261	187	426.5	165	ø250.00	ø323.85	12.7	19.05	ø318.30



Since 1983, SFFECO has been a trusted name in fire protection, known for innovation and quality worldwide.

With state-of-the-art facilities in Riyadh and Dubai, we deliver a complete range of firefighting solutions that meet international standards.

Our innovative approach and comprehensive product portfolio make SFFECO the one-stop destination for reliable fire protection products and services.

## شركة المصنع السعودي لأجهزة الإطفاء SAUDI FACTORY FOR FIRE EQUIPMENT Co.

### FACTORY & HEAD OFFICE - RIYADH

2nd Industrial Area, Al-Kharj Road, Riyadh, KSA, P.O. Box: 58469, Riyadh 11515  
Tel : +966 11 2650070, E-mail: riyadh@sffeco.com.sa

### JEDDAH BRANCH

P.O. Box: 16769, Jeddah - 21474, KSA  
Tel : +966 12 670 6009,  
E-mail: jeddah@sffeco.com.sa

### DAMMAM BRANCH

P.O. Box: 7162, Dammam - 31462, KSA  
Tel : +966 13 8351961,  
E-mail: dammam@sffeco.com.sa

### MADINAH BRANCH

Tel : 0148660959, 0148283256,  
E-mail: madinah@sffeco.com.sa

