



شركة المصنع السعودي لأجهزة الإطفاء
SAUDI FACTORY FOR FIRE EQUIPMENT Co.

Empowering
a Safer Future for
the Kingdom



FIRE VALVES



Check Valves

Quality Approvals for Various Products and Services



Check Valves

300 psi

Swing Check Valve Resilient Seated Flanged Ends

SF-CV-55-FF

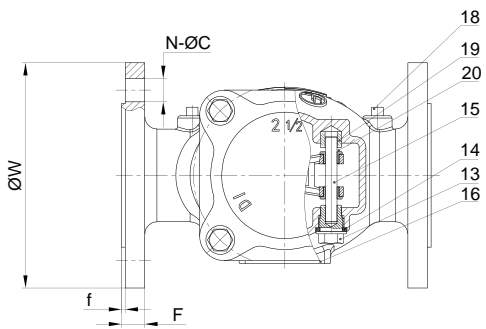
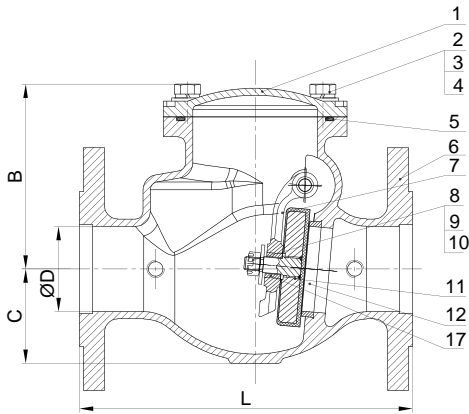


Technical Specification:

- ❖ Valve Standard AWWA C508 / AWWA C550
- ❖ Working Pressure 200PSI / 250PSI / 300PSI
- ❖ Working Temperature -10°C~120°C
- ❖ Connection Ends B16.42, CLASS150
(Other flanges are available on request)

Material Specification:

No.	Part	Material	Specification
1	Cover	Ductile Iron	ASTMA536 65-45-12
2	Hexagon Head Bolts	Carbon Steel	GR.8.8
3	Washer	Carbon Steel	--
4	Spring Washer	Carbon Steel	--
5	O-Ring	EPDM	--
6	Body	Ductile Iron	ASTMA536 65-45-12
7	Rocker	Ductile Iron	ASTMA536 65-45-12
8	Hexagonal Slot Thin Nut	Stainless Steel	SS304
9	Washer	Stainless Steel	SS304
10	Split Pin	Stainless Steel	SS304
11	Disc	Stainless Steel+ Carbon Steel+EPDM	SS304
12	Seat	Brass	B271 C84400
13	Shaft Hole Plug	Stainless Steel	SS304
14	Plug The Gasket	EPDM	--
15	Radial Spindle	Stainless Steel	SS304
16	Scutcheon	Stainless Steel	SS304
17	Swing Arm Sleeve	Bronze	B150 C63000
18	Plug	Stainless Steel	SS304
19	AXle Hole Sleeve	Bronze	B150 C63000
20	Shaft Sleeve	Bronze	B150 C63000



Dimension:

DN	INCH	B (mm)	C (mm)	ØD	L (mm)	ØW
50	2"	130	66	Ø54	203	Ø165
65	2½"	141	72	Ø65	254	Ø185
80	3"	145.5	85	Ø82	279	Ø200
100	4"	158.5	106	Ø100	330	Ø230
125	5"	212	120	Ø125	356	Ø255
150	6"	222	136	Ø150	406	Ø285
200	8"	265	163.5	Ø200	495	Ø345
250	10"	303	200	Ø250	559	Ø405
300	12"	333	248.5	Ø300	660	Ø485

Check Valves

365 psi

Swing Check Valve Resilient Seated Flanged Ends

SF-CV-58-FF

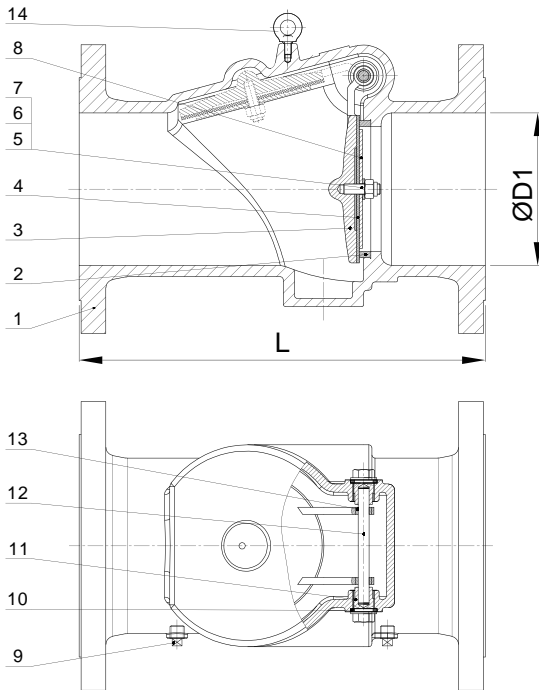


Technical Specification:

- ❖ Valve Standard AWWA C508 / AWWA C550
- ❖ Working Pressure 365PSI
- ❖ Working Temperature -10°C~120°C
- ❖ Connection Ends B16.42, CLASS150
(Other flanges are available on request)

Material Specification:

No.	Part	Material	Specification
1	Body	Stainless Steel Ductile Iron	SS304 ASTM A536 65-45-12
2	Seat	Brass	B271 C83600
3	Disc	Ductile Iron	ASTMA536 65-45-12
4	Sealing Ring	EPDM	--
5	Set Screw	Stainless Steel	
6	Locking Nut	Stainless Steel	SS304
7	Plain Washer	Stainless Steel	SS304
8	Disc Retainer	Stainless Steel (DN50 ~ DN150) Ductile Iron (DN200 ~ DN300)	SS304 ASTM A536 65-45-12
9	Screw Plug	Stainless Steel	SS304
10	Washer	EPDM	--
11	Screw Plug	Stainless Steel	SS304
12	Shaft	Stainless Steel	SS304
13	Bushing	Bronze	B150 C63000
14	Eye Bolt	Stainless Steel (DN150 ~ DN300)	SS304



Dimension:

DN	INCH	L (mm)	ØD1
50	2"	203	Ø52
65	2½"	222	Ø62
80	3"	241	Ø76
100	4"	305	Ø103
125	5"	356	Ø120
150	6"	394	Ø148
200	8"	457	Ø198
250	10"	533	Ø248
300	12"	610	Ø300

Check Valves

365 psi



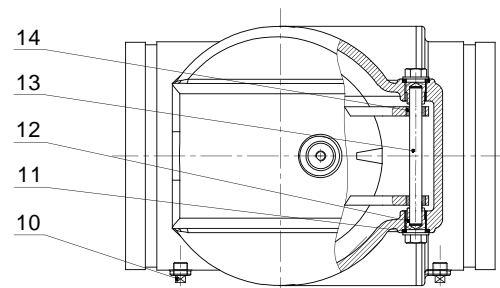
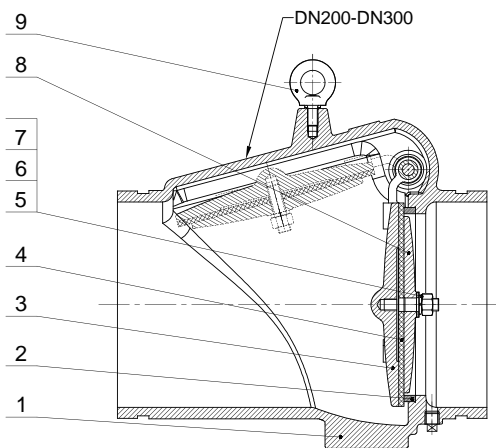
Swing Check Valve Resilient Seated Grooved Ends

SF-CV-58-GG

SF-CV-58-GGP



Fig. 58GGP

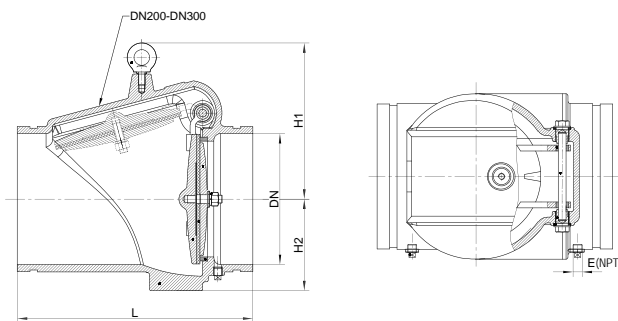


Technical Specification:

- ❖ Valve Standard AWWA C508 / AWWA C550
- ❖ Working Pressure 365PSI
- ❖ Working Temperature -10°C~120°C
- ❖ Connection Ends AWWA C 606

Material Specification:

No.	Part	Material	Specification
1	Body	Ductile Iron	ASTMA536 65-45-12
2	Seat	Bronze	B271 S83600
3	Disc	Ductile Iron	ASTMA536 65-45-12
4	Seal Ring	EPDM	--
5	Set Screw	Stainless Steel	SS304
6	Hexagon Nut	Stainless Steel	SS304
7	Plain Washer	Stainless Steel	SS304
8	Disc Retainer	Stainless Steel (DN50 ~ DN150)	SS304
8	Disc Retainer	Ductile Iron (DN200 ~ DN300)	ASTMA536 65-45-12
9	Eye-bolt (8" 10" 12")	Stainless Steel	SS304
10	Plug	Stainless Steel	SS304
11	Plug The Gasket	EPDM	--
12	Shaft Hole Plug	Stainless Steel	SS304
13	Shaft	Stainless Steel	SS304
14	Bushing	Bronze	B150 C63000

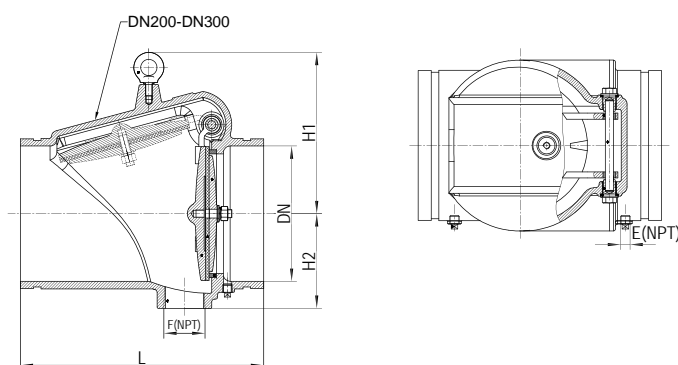


Model: 58GG

Dimension:

DN	INCH	L (mm)	H1 (mm)	H2 (mm)	E
50	2"	169	80	63	¼"
65	2½"	203	85	68	¼"
80	3"	213	93	75	¼"
100	4"	245	103	87	¼"
125	5"	267	121	95	¼"
150	6"	292	140	110	¼"
200	8"	356	237	137	¼"
250	10"	432	277	161	¼"

- ❖ Resilient Seat
- ❖ For use in horizontal and vertical installations



Model: 58GGP

Dimension:

DN	INCH	L (mm)	H1 (mm)	H2 (mm)	E	F
50	2"	169	80	63	¼"	1"
65	2½"	203	85	68	¼"	1¼"
80	3"	213	93	75	¼"	1¼"
100	4"	245	103	87	¼"	2"
125	5"	267	121	95	¼"	2"
150	6"	292	140	110	¼"	2"
200	8"	356	237	137	¼"	2"
250	10"	432	277	161	¼"	2"
300	12"	495	309	184	¼"	2"

- ❖ Resilient Seat
- ❖ Threaded drain connection located on the bottom of the valve body.
- ❖ For use in horizontal and vertical installations

Check Valves

300 psi



Resilient Seated Dual Disc Wafer Check Valve

SF-CV-50-W

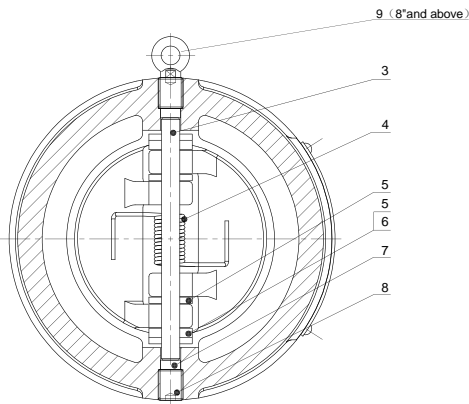
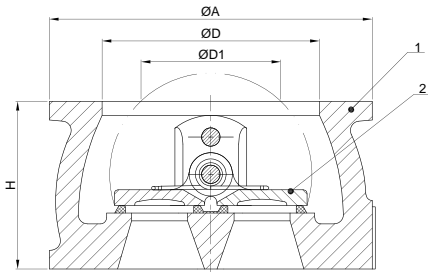


Technical Specification:

- ❖ Valve Standard API 594
- ❖ Working Pressure 300PSI
- ❖ Working Temperature -10°C~120°C
- ❖ Connection Ends ASME B16.1, Class125

Material Specification:

No.	Part	Material	Specification
1	Body	Ductile Iron+EPDM	ASTM A536 65-45-12
2	Disc	Ductile Iron Stainless Steel Bronze	ASTM A536 65-45-12 ASTM A351 CF8 / CF8M C95400
3	Stem	Stainless Steel	SS304 / SS316
4	Spring	Stainless Steel	SS304
5	Washer	Stainless Steel+PTFE	SS304
6	Gasket	Stainless Steel+PTFE	SS304
7	Sealing	EPDM	--
8	Plug	Blackening Of Carbon Steel	--
9	Lift Ring	Carbon Steel	



Dimension:

DN	INCH	H (mm)	øD	øD1	øA
50	2"	54	ø51	ø45	ø107
65	2½"	60	ø69	ø63	ø127
80	3"	67	ø78	ø66	ø142
100	4"	67	ø94	ø92	ø161
125	5"	83	ø115	ø120	ø192
150	6"	95	ø134	ø143	ø218
200	8"	127	ø182	ø177	ø273
250	10"	140	ø220	ø229	ø328
300	12"	181	ø260	ø251	ø380



Since 1983, SFFECO has been a trusted name in fire protection, known for innovation and quality worldwide.

With state-of-the-art facilities in Riyadh and Dubai, we deliver a complete range of firefighting solutions that meet international standards.

Our innovative approach and comprehensive product portfolio make SFFECO the one-stop destination for reliable fire protection products and services.

شركة المصنع السعودي لأجهزة الإطفاء SAUDI FACTORY FOR FIRE EQUIPMENT Co.

FACTORY & HEAD OFFICE - RIYADH

2nd Industrial Area, Al-Kharj Road, Riyadh, KSA, P.O. Box: 58469, Riyadh 11515
Tel : +966 11 2650070, E-mail: riyadh@sffeco.com.sa

JEDDAH BRANCH

P.O. Box: 16769, Jeddah - 21474, KSA
Tel : +966 12 670 6009,
E-mail: jeddah@sffeco.com.sa

DAMMAM BRANCH

P.O. Box: 7162, Dammam - 31462, KSA
Tel : +966 13 8351961,
E-mail: dammam@sffeco.com.sa

MADINAH BRANCH

Tel : 0148660959, 0148283256,
E-mail: madinah@sffeco.com.sa

