

## Limit Switch ZS 256-11Hz (Optional)

### Approvals



- 1) Listed system covered by UL-File EX15997 (SFFECO Prime FK, SFFECO Prime 227)
- 2) Part of the system approval:
  - Carbon Dioxide Extinguishing System CO<sub>2</sub> Low Pressure
  - SFFECO Prime FK, SFFECO Prime 227



### SAP designation

part no. 828482: Limit switch ZS 256-11Z-M20-2219

### Maintenance

Functional check during the maintenance intervals specific to the fire extinguishing system, but at least annually.

Designation	Part no.	Weight
Limit switch ZS 256-11z	828482	0.14 kg (0.2 lbs)

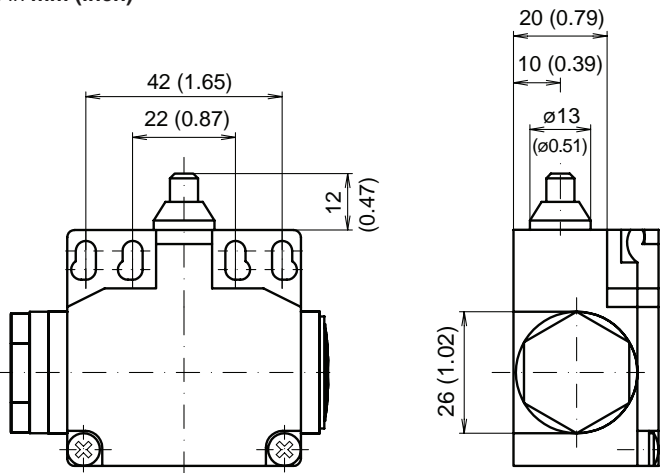
### Technical data

Type .....ZS 256-11z-2219-3  
 Housing .....thermopl. glass fiber concentrated, self-quenching  
 IP code .....IP67  
 Contact material .....silver  
 Contacts .....1 NC, 1 NO  
 .....galvanically isolated contact bridges  
 Ambient temperature .....-30 °C to +80 °C (-22 °F to 176 °F)  
 Switch system .....spring control, positive break NC contact

Nominal isolation voltage .....500 V  
 Permanent current .....10 A  
 Nominal operation current / voltage .....4 A (230 V AC);  
 .....2,5 A (400 V AC); 1 A (500 V AC)  
 Short-circuit protection .....10 A slow blow, 16 A quick blow  
 Actuation force .....min. 9 N  
 Mechn. durability .....20x10<sup>6</sup> switching cycles  
 Operation speed .....max. 1 m/s, min. 0,01 m/s  
 Time on in percent .....max. 5000 / h

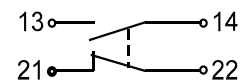
### Dimension drawing

Dimensions in mm (inch)



The cable entries sealed left with blind plug and right with protective cap.

### Circuit diagram:



## Limit Switch Typ US 432y, 2 Contacts (Optional)



### Approvals



1) Listed system covered by UL-File EX15997 (SFFECO Prime FK, SFFECO Prime 227)

2) Part of the system approval (SFFECO Prime FK, SFFECO Prime 227)

### SAP designation

part no. 724420: Limit switch US 432Y-M20-2352 2 contacts

### Maintenance

see mounting and wiring instructions of the manufacturer

Designation	Part no.	Weight
Limit switch type US 432y, 2 contacts	724420	0.31 kg (0.68 lbs)

### Technical data

Type .....US 432y-M20-2352  
 Housing .....alloy die-cast metal, chrome dulled and varnished  
 IP code .....IP65  
 Contact material .....silver  
 Switch system .....slow action  
 Ambient temperature .....-20 °C to +60 °C (-4 °F to 140 °F)  
 Nominal isolation voltage .....500 V  
 Permanent current .....16 A  
 Nominal operation current .....6 A, 400 V AC  
 Short-circuit protection .....16 A slow blow, 20 A quick blow

Actuation force .....max. 7 N  
 (efficiency of the switch way)  
 Operation speed .....max. 1 m/s, min. 0.001 m/s  
 Time on in percent.....max. 3000 / h  
 Mechn. durability .....10x10<sup>6</sup> switching cycles  
 Contact spud durability .....2x10<sup>6</sup> switching cycles  
 .....at 6 A / 400 V AC, cos φ = 0.4

### Application

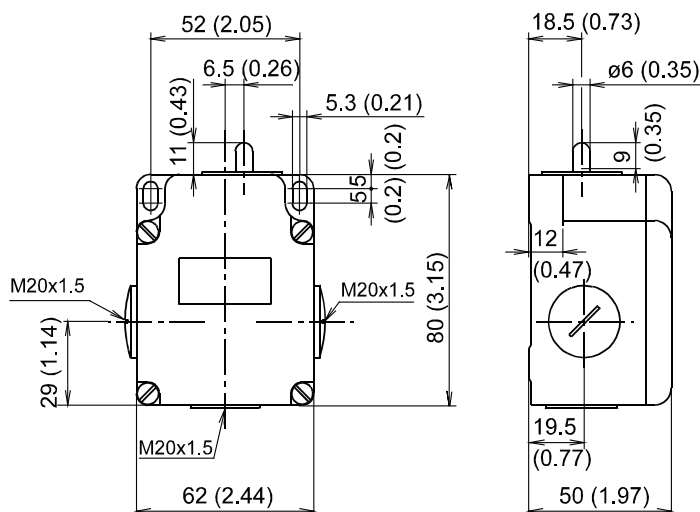
limit switch pneum. operated, manifold set, selector valve

### Included in delivery

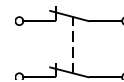
Limit switch type US 432y with mounting and wiring instructions

### Dimension drawing

Dimensions in mm (inch)



### Wiring diagram



contacts shown not operated

changing of the contact type from NC to NO contact and vice versa is adjustable

note: actuate limit switch axially

## Limit Switch US 434y, 4 Contacts (Optional)

### Approvals

without approval



### SAP designation

part no. 224831: Limit switch US 434Y-M20-2352 4 contacts

### Maintenance

see mounting and wiring instructions of the manufacturer

Designation	Part no.	Weight
Limit switch US 434y, 4 contacts	224831	0.42 kg (0.93 lbs)

### Technical data

Type .....US 434y-M20-2352  
 Housing .....alloy die-cast metal, chrome dulled and varnished  
 IPcode .....IP65  
 Contact material .....silver  
 Switch system .....slow action  
 .....with twofold brake contacts  
 Ambient temperature .....-20 °C to +60 °C (-4 °F to 140 °F)  
 Nominal isolation voltage .....500 V  
 Permanent current .....16 A  
 Nominal operation current .....6 A, 400 V AC  
 Short-circuit protection .....16 A slow blow, 20 A quick blow

Actuation force .....max. 100 N  
 (efficiency of the switch way)  
 Operation speed .....max. 1 m/s, min. 0.001 m/s  
 Time on in percent.....max. 3000 / h  
 Mechn. durability .....10x10<sup>6</sup> switching cycles  
 Contact spud durability .....2x10<sup>6</sup> switching cycles  
 .....at 6 A / 400 V AC, cos φ = 0.4

### Application

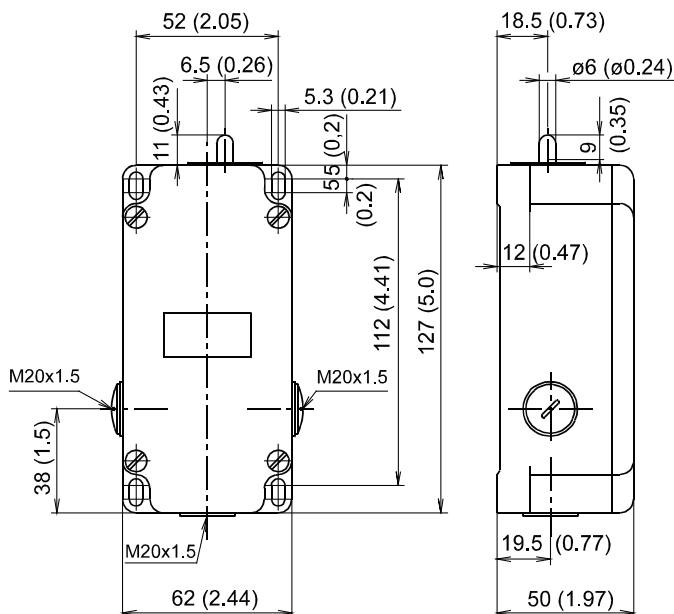
limit switch pneum. operated, manifold set, selector valve

### Included in delivery

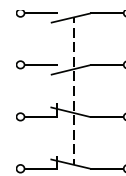
Limit switch US 434y with mounting and wiring instructions

### Dimension drawing

Dimensions in mm (inch)



### Wiring diagram



contacts shown not operated

changing of the contact type from  
NC to NO contact and vice versa is  
adjustable

Note: actuate limit switch axially