

Radial Nozzle

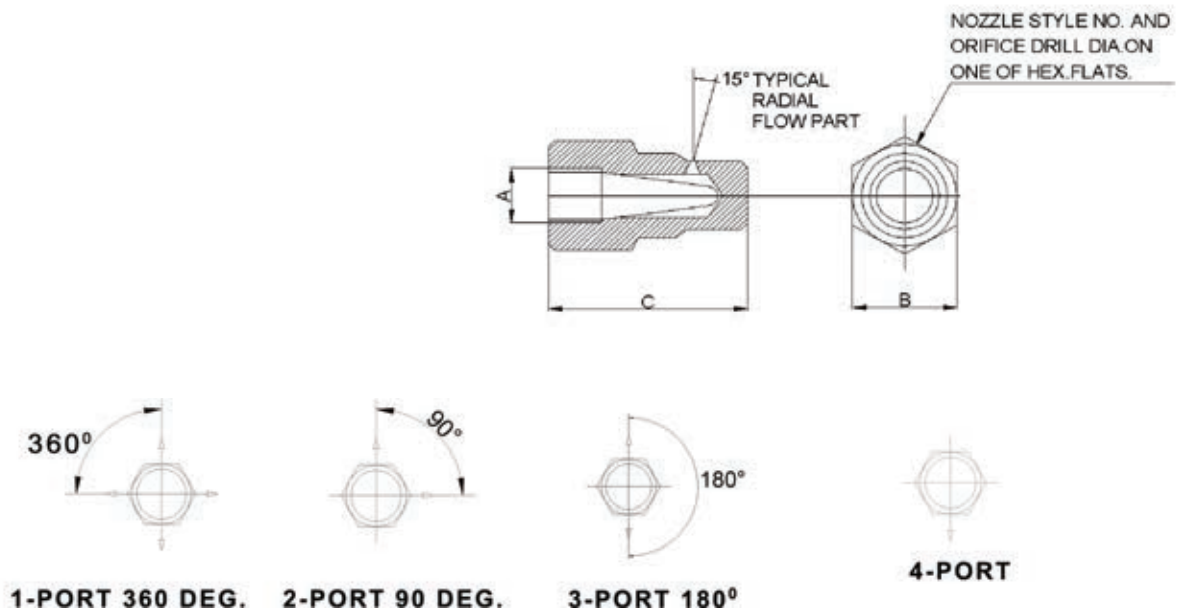
P/N SCO10-009



Description

The SFFECO radial nozzle (P/N SCO10-009) is used for Total Flooding applications to deliver the agent into the hazard area protected by Carbon Dioxide system.

Nozzles are made of brass or stainless steel in different types, shapes and diameters to assure the effectiveness of extinguishing agents as per system design and quantity of gas required.



NOZZLE SIZE			PURCHASE CODE
A	B	C	
1/6"	7/8"	123/32"	0678
3/8"	1"	127/32"	0679
1/2"	1 1/8"	2 1/16"	0680
3/4"	1 3/8"	2 5/16"	0681
1"	1 5/8"	2 11/16"	0682
1 1/4"	2"	3 1/16"	0683
1 1/2"	2 1/4"	3 7/16"	0684
2"	3"	3 15/16"	0685

NOTE

While placing order, please refer to the flow calculations and mention nozzle size and drill properly

'S' Type Discharge Nozzle

P/N: SCO-010



Description

The SFFECO 'S' type discharge nozzle (P/N SCO-010) is used for Local and Total Flooding applications to deliver the agent into the hazard area protected by Carbon Dioxide system.

Nozzles are made of brass in different types, shapes and diameters to assure the effectiveness of extinguishing agents as per system design and quantity of gas required.

Specification

Body Material	Brass
Finish	Red Paint

