



شركة المصنع السعودي لأجهزة الإطفاء  
SAUDI FACTORY FOR FIRE EQUIPMENT Co.

Empowering  
a **Safer Future** for  
the Kingdom



**FIRE  
VALVES**



Quality Approvals for Various Products and Services

VER: 00-03/26

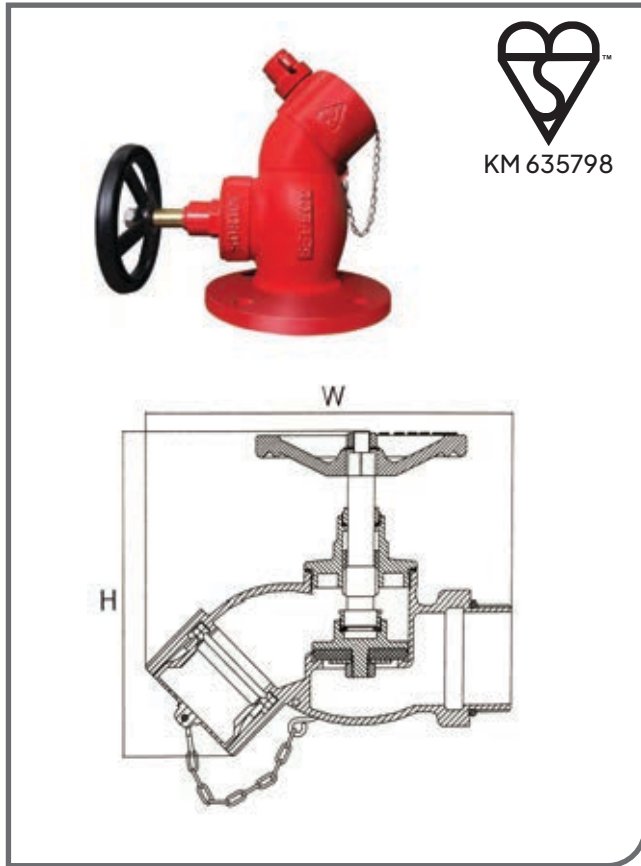


# Hose Valve

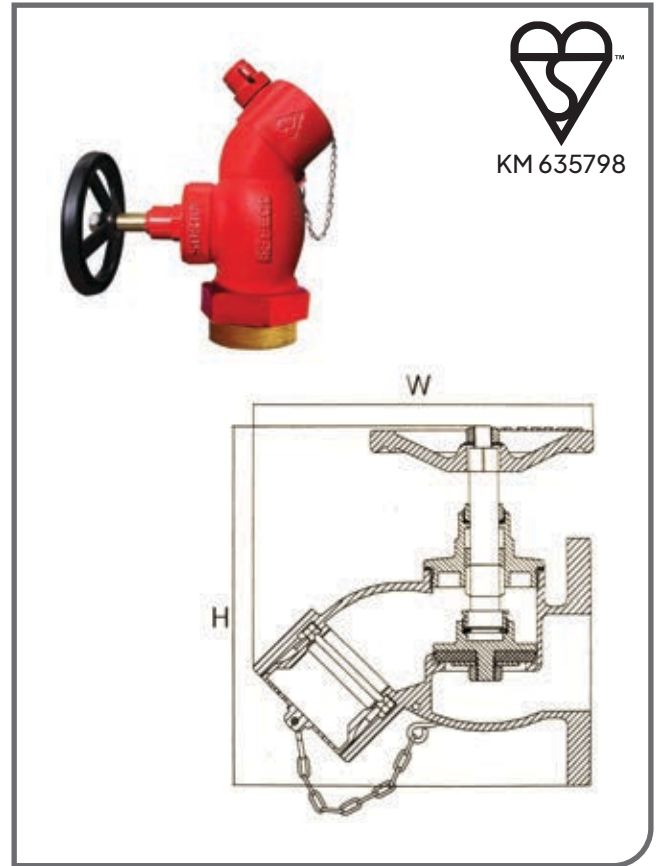
## Bib Nose Type



### Flanged Inlet



### Screwed Inlet



### Flanged Inlet

Model	Size	H (mm)	W (mm)	Inlet	Outlet
SFD-K50-BLVF	DN50	240	225	165	BS336
SFD-K65-BLVF	DN65	250	225	185	BS336

### Screwed Inlet

Model	Size	H (mm)	W (mm)	Inlet	Outlet
SFD-K65-BLVST	DN65	225	263	2.5" BSPT	BS336
SFD-K65-BLVS	DN65	225	263	2.5" BSP	BS336

### Technical Specification:

❖ Standard	Certificate to BS5041-1	❖ Outlet	Female instantaneous to BS336
❖ Body	Copper alloy, Thickness > 3mm	❖ Surface	Red or Yellow Painting
❖ Handwheel	Grey cast iron alloy	❖ Test Pressure	22.5 bar
❖ Blank cap	Copper alloy	❖ Fully open	4.5 turns
❖ Inlet	Flanged or BSP Screwed		



Since 1983, SFFECO has been a trusted name in fire protection, known for innovation and quality worldwide.

With state-of-the-art facilities in Riyadh and Dubai, we deliver a complete range of firefighting solutions that meet international standards.

Our innovative approach and comprehensive product portfolio make SFFECO the one-stop destination for reliable fire protection products and services.

## شركة المصنع السعودي لأجهزة الإطفاء SAUDI FACTORY FOR FIRE EQUIPMENT Co.

### FACTORY & HEAD OFFICE - RIYADH

2nd Industrial Area, Al-Kharj Road, Riyadh, KSA, P.O. Box: 58469, Riyadh 11515  
Tel : +966 11 2650070, E-mail: riyadh@sffeco.com.sa

### JEDDAH BRANCH

P.O. Box: 16769, Jeddah - 21474, KSA  
Tel : +966 12 670 6009,  
E-mail: jeddah@sffeco.com.sa

### DAMMAM BRANCH

P.O. Box: 7162, Dammam - 31462, KSA  
Tel : +966 13 8351961,  
E-mail: dammam@sffeco.com.sa

### MADINAH BRANCH

Tel : 0148660959, 0148283256,  
E-mail: madinah@sffeco.com.sa

