



شركة المصنع السعودي لأجهزة الإطفاء  
SAUDI FACTORY FOR FIRE EQUIPMENT Co.

Empowering  
a **Safer Future** for  
the Kingdom



**FIRE  
VALVES**



Quality Approvals for Various Products and Services

VER: 00-03/26

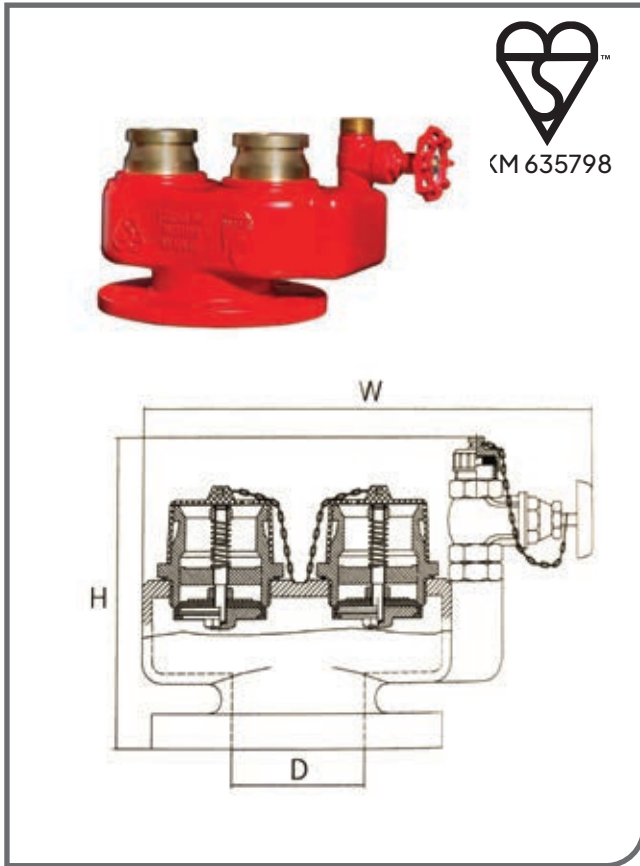


# Hose Valve

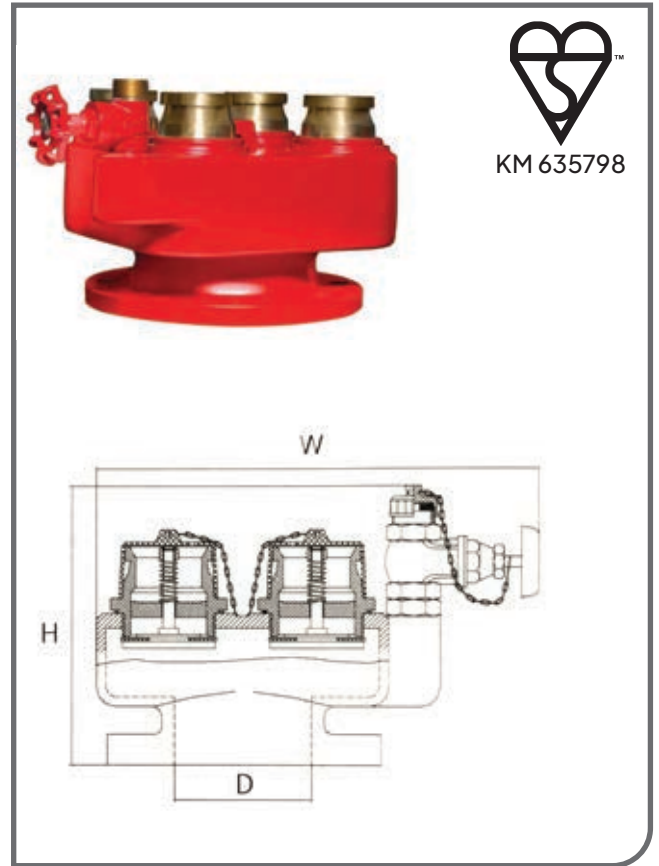
## Breeching Inlet / Collecting Head



### Flanged Inlet



### Screwed Inlet



### Flanged Inlet

Model	Size	H (mm)	W (mm)	Inlet	Outlet
SFD-K100-2WBI	DN100	225	300	100	2 x BS336
SFD-K100-2WBI	DN100	225	300	100	2 x 2.5" BSP

### Screwed Inlet

Model	Size	H (mm)	W (mm)	Inlet	Outlet
SFD-K150-4WBI	DN150	230	330	150	4 x BS336
SFD-K150-4WBI	DN150	230	330	150	4 x 2.5" BSP

### Technical Specification:

- ❖ Standard Certificate to BS5041-3
- ❖ Body Ductile Cast Iron
- ❖ Drain Valve 1" Gate valve BS 5154
- ❖ Non-return Test 1.7 bar
- ❖ Inlets Copper alloy to BS1400
- ❖ Blank cap Plastic
- ❖ Working pressure 20 bar,



Since 1983, SFFECO has been a trusted name in fire protection, known for innovation and quality worldwide.

With state-of-the-art facilities in Riyadh and Dubai, we deliver a complete range of firefighting solutions that meet international standards.

Our innovative approach and comprehensive product portfolio make SFFECO the one-stop destination for reliable fire protection products and services.

## شركة المصنع السعودي لأجهزة الإطفاء SAUDI FACTORY FOR FIRE EQUIPMENT Co.

### FACTORY & HEAD OFFICE - RIYADH

2nd Industrial Area, Al-Kharj Road, Riyadh, KSA, P.O. Box: 58469, Riyadh 11515  
Tel : +966 11 2650070, E-mail: riyadh@sffeco.com.sa

### JEDDAH BRANCH

P.O. Box: 16769, Jeddah - 21474, KSA  
Tel : +966 12 670 6009,  
E-mail: jeddah@sffeco.com.sa

### DAMMAM BRANCH

P.O. Box: 7162, Dammam - 31462, KSA  
Tel : +966 13 8351961,  
E-mail: dammam@sffeco.com.sa

### MADINAH BRANCH

Tel : 0148660959, 0148283256,  
E-mail: madinah@sffeco.com.sa

