



شركة المصنع السعودي لأجهزة الإطفاء
SAUDI FACTORY FOR FIRE EQUIPMENT Co.

Empowering
a **Safer Future** for
the Kingdom



Breeching Inlet
or Landing Valve
Cabinets

Quality Approvals for Various Products and Services

VER: 00-12/25



The Global Standard in Fire Safety

Since 1983, SFFECO has been the trusted name and a recognized global leader in manufacturing top-tier fire-fighting equipment. We don't just offer products; we provide total fire safety solutions like fire doors, fire cabinets, fire pumps, fire extinguishing systems, etc. Our commitment to excellence is certified by multiple international standards, including ISO 9001 (Quality), ISO 14001 (Environmental), and ISO 45001 (Health & Safety). With state-of-the-art facilities in Riyadh and Dubai, we ensure every product meets rigorous international quality standards.

One-Stop-Shop for Fire Protection

SFFECO is your single source for everything in fire protection and fire-fighting. Represented in over 100 countries through a vast network of dealers, our innovative approach and comprehensive, end-to-end product range deliver the full spectrum of solutions you need. We're dedicated to keeping you safe and updated, constantly integrating the latest fire-fighting technology into our knowledge and services. Choose SFFECO and get certified quality, global reach, and pioneering innovation—all in one place.



Quality Services

SFFECO is deeply committed to ensuring superior performance and accuracy in every product it delivers. This dedication is maintained through continuous, close collaboration with a wide array of stakeholders, including key certification bodies, government regulatory agencies, industry partners, and leading technology associations. This concerted effort focuses on the development and delivery of truly innovative and high-quality fire-fighting solutions. The commitment to excellence is rigorously upheld through extensive product testing and evaluation, alongside a strict, ongoing process for continued product quality compliance, guaranteeing that SFFECO's equipment operates with assured reliability when it matters most.

SFFECO is dedicated to providing fire safety products of the highest quality and performance. We achieve this by working closely with certification bodies, government regulatory agencies, industry partners, and technology associations. This collaboration ensures our innovative products are backed by extensive product testing and evaluation, and maintained through continuous quality compliance.

As global leaders since 1983, SFFECO believes in manufacturing quality products and offering exceptional service standards worldwide. Our primary goal is to reward our customers by keeping their investments safe and secure. Our manufacturing plant has steadily grown and is now equipped with modern hi-tech equipment and staffed by highly skilled professionals. With optimal ISO-certified operations, we consistently roll out products that match global standards to serve the needs of the growing fire safety market.



Empowering
a **Safer Future** for
the Kingdom

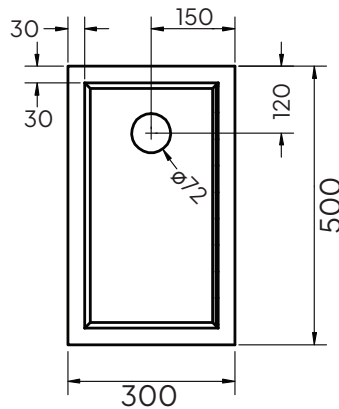
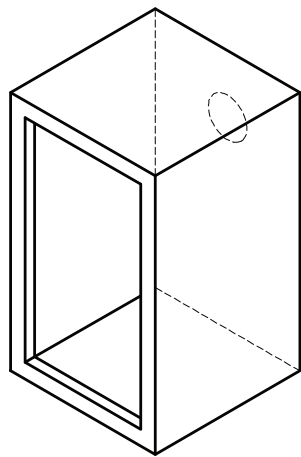


Breaching Inlet or Landing Valve Cabinets

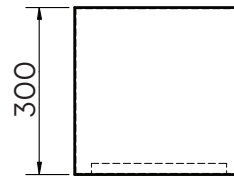


General Specifications:

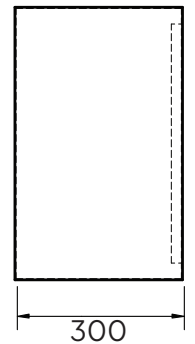
- 🔥 Cabinet and door leaves are made of mild /stainless steel sheet with all around folded edges. There are different design for door leaves to suit the architectural engineering.
- 🔥 Cabinets are fitted with optional continuous piano hinges. Stainless steel hinges are available upon request.
- 🔥 Corrosion protection: Cabinets and Door leaves are painted with electrostatic powder paint oven baked to give protection against rust and to give smooth finish.
- 🔥 Available colors are Red (RAL 3000), and Off White. Other colors are available upon request.
- 🔥 Frame and Door leaves are available in Mild Steel or Stainless Steel.



Front View



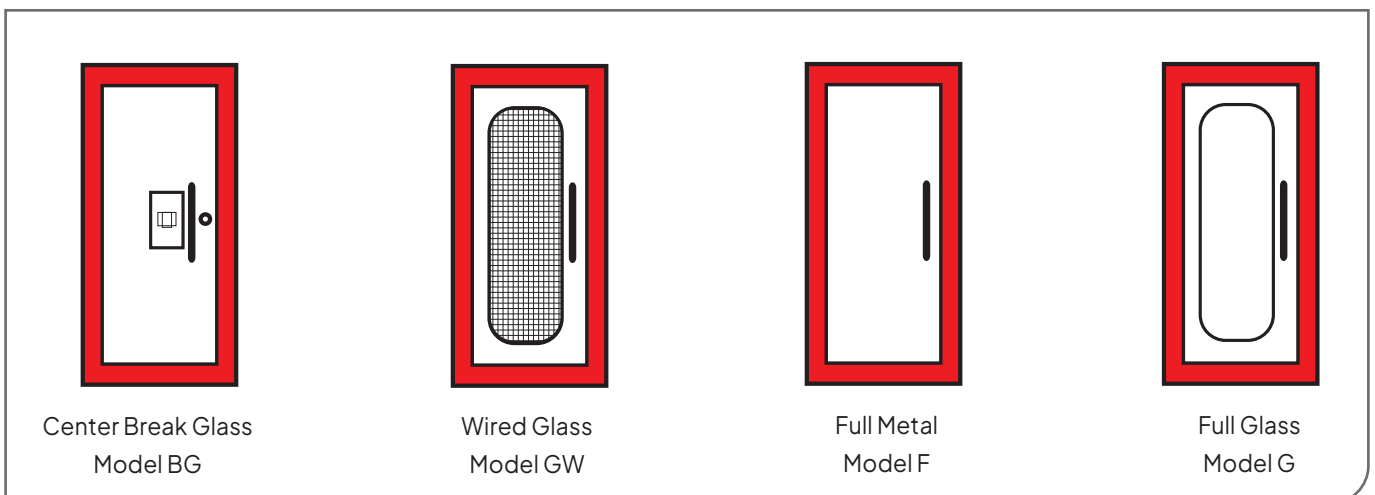
Top View



Side View

Note: Customized sizes for landing valve and breaching inlet cabinets are available on request.

Cabinet Door Styles:



Center Break Glass
Model BG

Wired Glass
Model GW

Full Metal
Model F

Full Glass
Model G



Since 1983, SFFECO has been a trusted name in fire protection, known for innovation and quality worldwide.

With state-of-the-art facilities in Riyadh and Dubai, we deliver a complete range of firefighting solutions that meet international standards.

Our innovative approach and comprehensive product portfolio make SFFECO the one-stop destination for reliable fire protection products and services.

شركة المصنع السعودي لأجهزة الإطفاء SAUDI FACTORY FOR FIRE EQUIPMENT Co.

FACTORY & HEAD OFFICE - RIYADH

2nd Industrial Area, Al-Kharj Road, Riyadh, KSA, P.O. Box: 58469, Riyadh 11515
Tel : +966 11 2650070, E-mail: riyadh@sffeco.com.sa

JEDDAH BRANCH

P.O. Box: 16769, Jeddah - 21474, KSA
Tel : +966 12 670 6009,
E-mail: jeddah@sffeco.com.sa

DAMMAM BRANCH

P.O. Box: 7162, Dammam - 31462, KSA
Tel : +966 13 8351961,
E-mail: dammam@sffeco.com.sa

MADINAH BRANCH

Tel : 0148660959, 0148283256,
E-mail: madinah@sffeco.com.sa

