



شركة المصنع السعودي لأجهزة الإطفاء
SAUDI FACTORY FOR FIRE EQUIPMENT Co.

Empowering
a **Safer Future** for
the Kingdom



Fire Hydrants



Associated to ISO 9001:2015
Cert. No.: 1516

Available in 4" & 6" Sizes

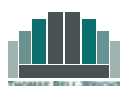
With / Without Break Assembly System

Straight or 90° Inlet Connection

Conforming to BS EN 14384:2005

Available with Different type of caps and outlet landing valves

Quality Approvals for Various Products and Services



Fire Hydrants

LPCB Approved



General Description

Automatic drain system drains the water in the upper part when the main valve is closed

Externally sand blasted for smooth finish

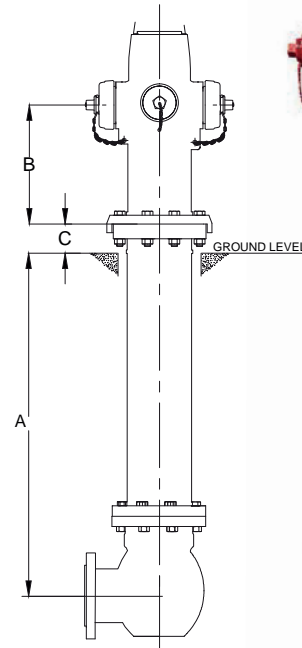
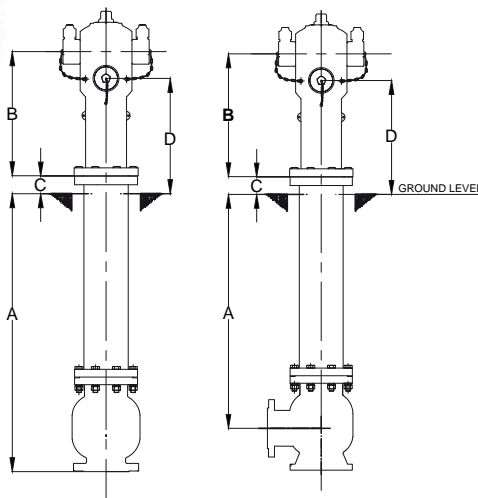
High Performance & Easy to Install, Maintain and Repair

Standard Size For higher depth hydrant: 2 nos. of 2.5" BSP hose outlets & 1 no. of 4" BSP pumper connection with standard depth of 800/1200mm. Other options are available upon request.

Available with straight and 90 Deg Horizontal inlet, with different dimension.

Standard Size for Lower depth hydrant: 2 nos. of 2.5" BSP hose outlets & 1 no. of 4" BSP pumper connection with standard depth of 800mm. Other options are available upon request.

Lower Depth hydrants can be supplied without the barrel (upper body directly connects to lower body)



Description	Lower Depth Hydrant Details	
Model	SFH100-LPLD	SFH150-LPLD
Size	DN100 Flange (4")	DN150 Flange (6")
Buried Depth (mm) (A)	563/713/943 (For Straight inlet) 420/575/800 (For 90 Deg inlet)	563/713/943 (For Straight inlet) 420/575/800 (For 90 Deg inlet)
Upper body Outlet elevation (B)	423	423
Upper body flange clearance to ground level (mm) (C)	58	58
Upper body Pumper Outlet elevation (D)	353	353

Description	Higher Depth Hydrant Details	
Model	SFH100-LPHD	SFH150-LPHD
Size	DN100 Flange (4")	DN150 Flange (6")
Buried Depth (mm) (A)	800/1200/1445	600/800/1200/1500/1700
Upper body Outlet elevation (B)	344	402
Upper body flange clearance to ground level (mm) (C)	77	77

Model	Inlet Size	Hose Outlet	Pumper	Lpcb Ref. No.
SFH100-LPLD	4" (DN 100)	2 X 2.5" BSP (65mm)	1 x 4" BSP (100mm)	1280Ba/01
SFH100-LPHD	4" (DN 100)		1 x 4" BSP (100mm)	1280Ba/02
SFH150-LPHD	6" (DN 150)		1 x 4" BSP (100mm)	1280Ba/03
SFH150-LPLD	6" (DN 150)		1 x 4" BSP (100mm)	1280Ba/04
SFH100-LPHDAT	4" (DN 100)	2 X 2.5" BS 336 (delivery hose connector)	1 x 4" BSP (100mm)	1280Ba/05
SFH100-LPLDAT	4" (DN 100)		1 x 4" BSP (100mm)	1280Ba/06
SFH150-LPHDAT	6" (DN 150)		1 x 4" BSP (100mm)	1280Ba/07
SFH150-LPLDAT	6" (DN 150)		1 x 4" BSP (100mm)	1280Ba/08

Lower Depth Built-in coupling-Anti Theft Hydrant Details (Without valve)

Description	Lower Depth Built-In Coupling- Anti Theft Hydrant Details (Without Valve)	
	Model	Model
Model	SFH100-LPLDAT	SFH150-LPLDAT
Size	DN100 Flange (4")	DN150 Flange (6")
Buried Depth (mm) (A)	563/713/943 (For Straight inlet) 420/575/800 (For 90 Deg inlet)	563/713/943 (For Straight inlet) 420/575/800 (For 90 Deg inlet)
Upper body Outlet elevation (B)	423	423
Upper body flange clearance to ground level (mm) (C)	58	58
Upper body Pumper Outlet elevation (D)	58	58



Higher Depth Built-in coupling -Anti Theft Hydrant Details

Description	Higher Depth Built-In Coupling - Anti Theft Hydrant Details	
	Model	Model
Model	SFH100-LPHDAT	SFH150-LPHDAT
Size	DN100 Flange (4")	DN150 Flange (6")
Buried Depth (mm) (A)	800/1200/1445	600/800/1200/1500/1700
Upper body Outlet elevation (B)	327	381
Upper body flange clearance to ground level (mm) (C)	77	77



- * Standard Models (Subject to stock availability).Standard size - 2 number of 2-1/2" hose outlets,
- ** Available upon customer's request only. 1 Number of 4-1/2" Pumper connection.
- *** Monitor elbow is not available in "FM" Other outlet sizes are available upon request

Requirement :

1. All inspection should be according to the factory standard and relate inspection instruction.
2. Avoid scratch after assembly the hydrant in order to keep good surface quality.



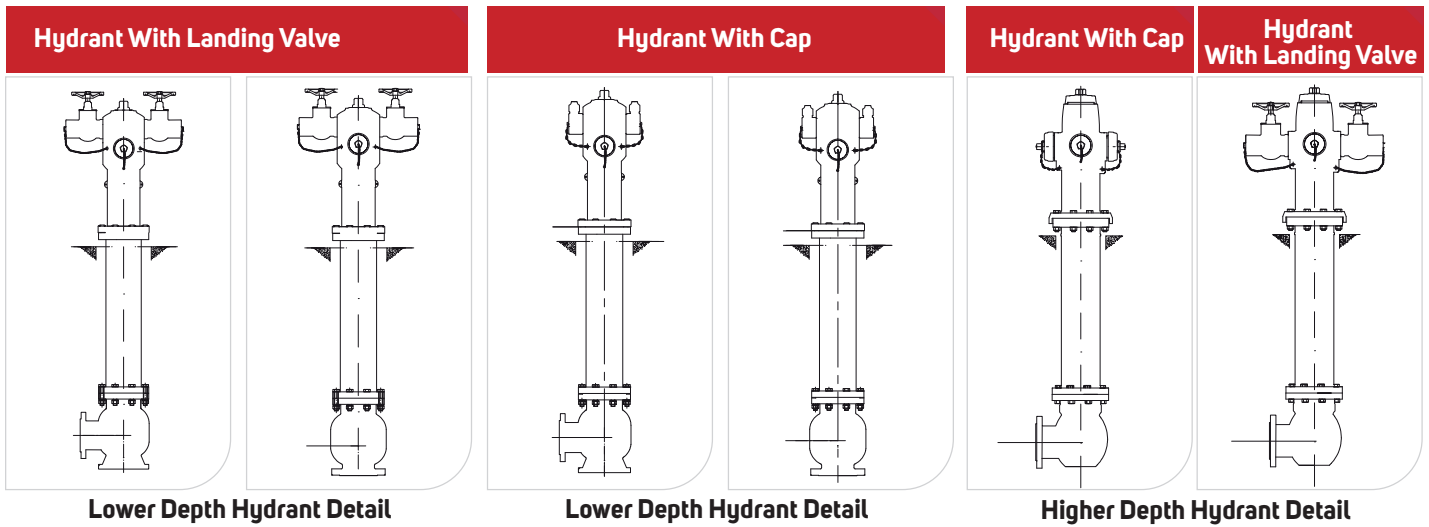
{ Note : Standard on flange joint where mechanical connection is available upon request. }

Fire Hydrants

LPCB Approved



Outlet Configuration



2.5" Hose Outlet Details

Description	Ref. Standard
Connector, 2.5" NH male thread, Brass	ASME B1.20.7-1991
Cap, 2.5" NH female thread, Gray iron/Ductile iron/Brass	ANSI/NFPA 1963-1985
Connector, 2.5" BSP male thread, aluminum	BS 21.2779
DN65 storz adaptor & cap, Aluminum	STORZ 65
DN65 DSP adaptor with lock ring, aluminum	DSP 65
DN65 DSP adaptor & cap, Aluminum	
* DN65 landing valve, Bronze/Brass	BS 336
DN65 BS female adaptor, Aluminum/Brass/Brass coated Cr	

4" Pumper Outlet Details

Description	Ref. Standard
Connector, 4" NH male thread, brass	ASME B1.20.7-1991
Cap, 4" NH female thread, Gray iron/Ductile Iron	ANSI/NFPA 1963-1985
Connector, 4" BSP male thread, Brass/Aluminum	BS21.2779
* Cap, 4" BSP female thread, gray iron	
Cap, 4" BSP male thread, gray iron	BS336
Connector, 4" BSRT male thread, Brass/Brass plated Cr	
Cap, 4" BSRT female thread, Ductile iron/Gray/ Gray iron plated Cr/Brass plated Cr	
Connector, 4" BSRT female thread, Brass	STORZ 100
Cap, 4" BSRT male thread, Ductile iron/Gray iron	
DN100 storz adaptor & Cap, Aluminum	DSP 100
DN100 DSP adaptor with lock ring, aluminum	
DN100 DSP adaptor & cap, Aluminum	

* Standard outlet types.

Other outlet details are optional and can be supplied at customer request.

شركة المصنع السعودي لأجهزة الإطفاء SAUDI FACTORY FOR FIRE EQUIPMENT Co.

FACTORY & HEAD OFFICE - RIYADH

2nd Industrial Area, Al-Kharj Road, Riyadh, KSA, P.O. Box: 58469, Riyadh 11515
Tel : +966 11 2650070, E-mail: riyadh@sffeco.com.sa

JEDDAH BRANCH

P.O. Box: 16769, Jeddah – 21474, KSA
Tel : +966 12 670 6009,
E-mail: jeddah@sffeco.com.sa

DAMMAM BRANCH

P.O. Box: 7162, Dammam – 31462, KSA
Tel : +966 13 8351961,
E-mail: dammam@sffeco.com.sa

MADINAH BRANCH

Tel : 0148660959, 0148283256,
E-mail: madinah@sffeco.com.sa



www.
SFFECO.com