

Head Valve

Valve for Fixed Installation

P/N: F2021002

Description

SFFECO Carbon Dioxide cylinders are equipped with a cylinder valve designed to hold the Carbon Dioxide agent in the cylinder until actuated, either automatically or manually. The conversion is completed by installing an emergency manual lever actuator. The cylinder valve assembly has a forged brass body. The pressure necessary to open the valve is 100–110 psig (689–758 kPa) at 70°F. (21.1°C.). All cylinder valves are equipped with a Safety Relief Disc that will rupture to relieve excess pressure should it reach a level in excess of 2,650 psi (18,248 kPa) in accordance with NFPA 12, Section 1–8.5.2.



Specification

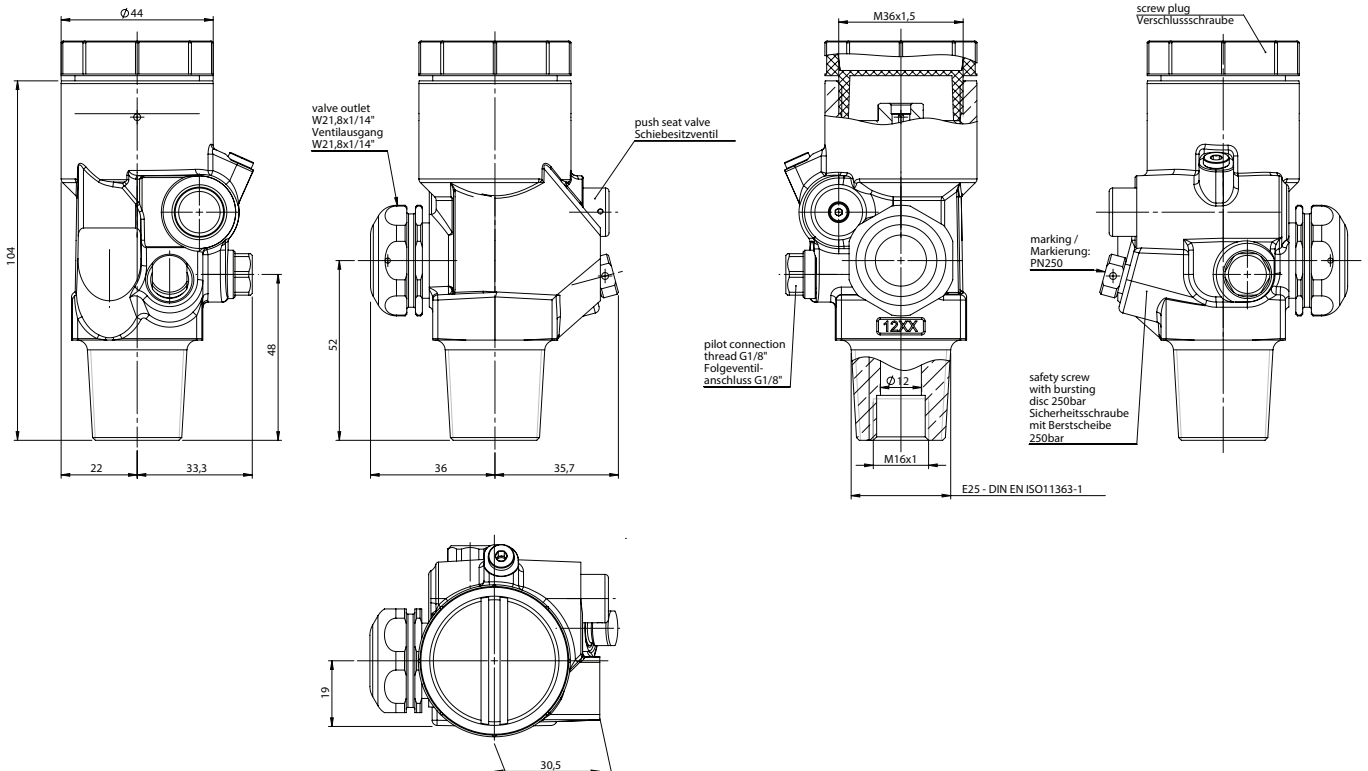
| | |
|---------------|---------------------|
| Material | Brass |
| Thread | 25E - W21, 8x 1/14" |
| Test Pressure | 360 Bar |

Can be used in Combination with any one of the

P/N: XF11280

P/N: F1120016

P/N: F1120015



Control Head Valve

Electrical and Pressure Operated

P/N: F2031002



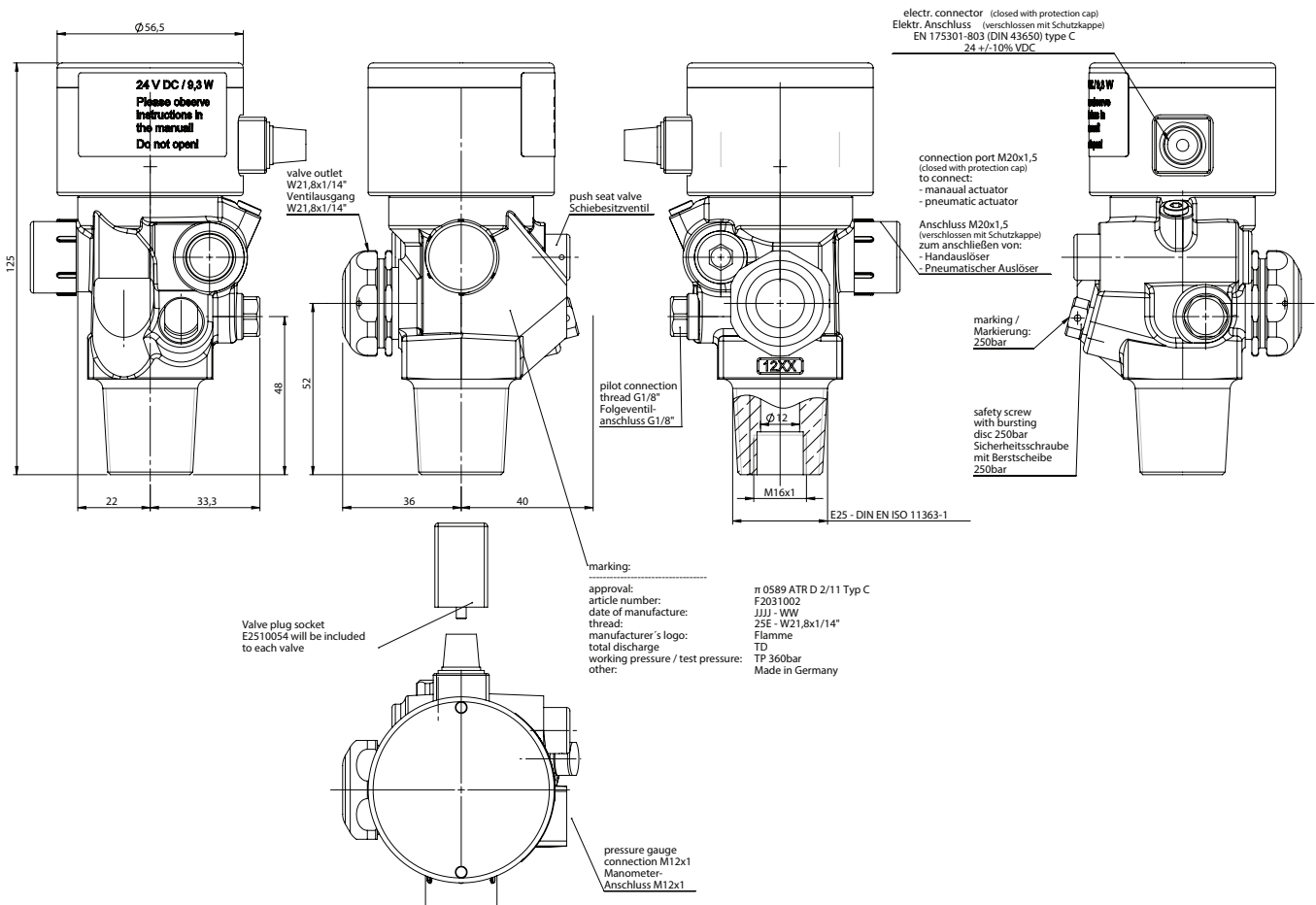
Description

This type of control head valve operates the system cylinder electrically through electrical solenoid actuator after receiving an electronic initiating signal from the control panel. Also this type of control head valve operates the system cylinder through electrical principle, which allows the CO₂ pressure to open the valve piston in order to discharge the gas in the protected area.

Specification

| | |
|---------------|---------------------|
| Material | Brass |
| Thread | 25E - W21, 8x 1/14" |
| Test Pressure | 360 Bar |

Can be used in Combination with P/N: F1120017



Control Head Valve

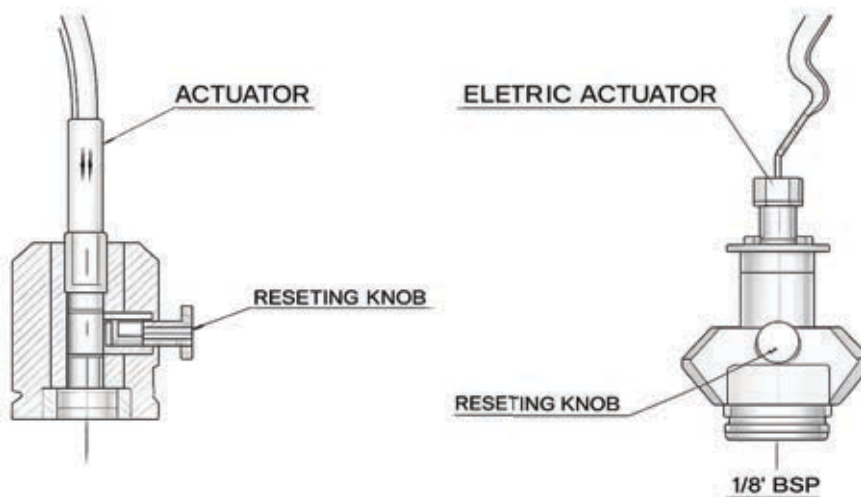
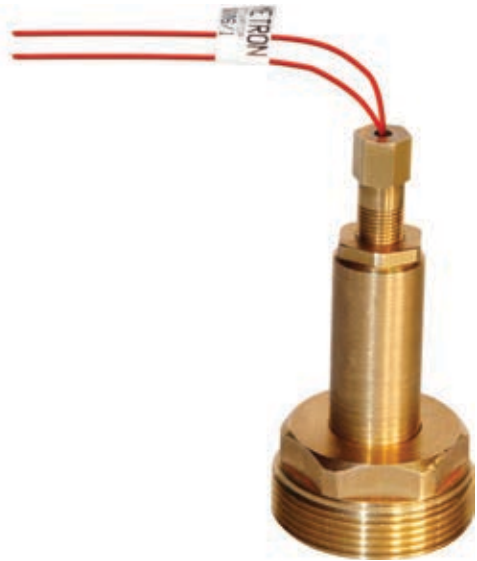
Electric Actuated

P/N: XF11280

Description

This type of control head valve operates the system cylinder electrically through electrical pin type pyrotechnic actuators.

Can be used in Combination with F2021002



Control Head Valve

Pneumatic Release Device

P/N: F1120016



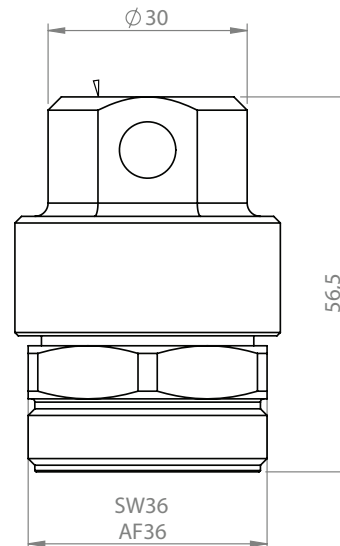
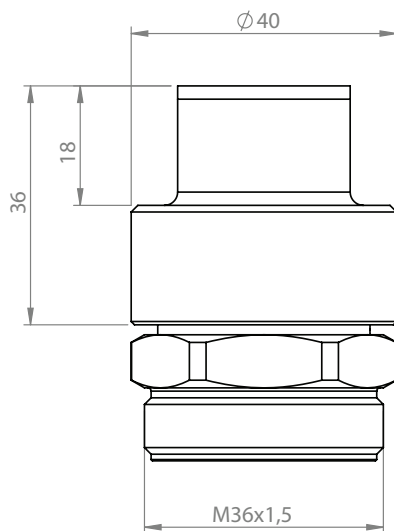
Description

This type of control head valve operates the system cylinder through pneumatic principle, which allows the CO₂ pressure to open the valve piston in order to discharge the gas in the protected area.

Specification

| | |
|--------------------|----------------------|
| Material | Brass |
| Pilot Pressure min | 20 bar for P1=300bar |
| Pilot Pressure max | Pmax = 360 bar |
| Torque | 25Nm ±2 |

Can be used in Combination with F2021002



Control Head Valve

Pneumatic – Manual Release Device

P/N: F1120015

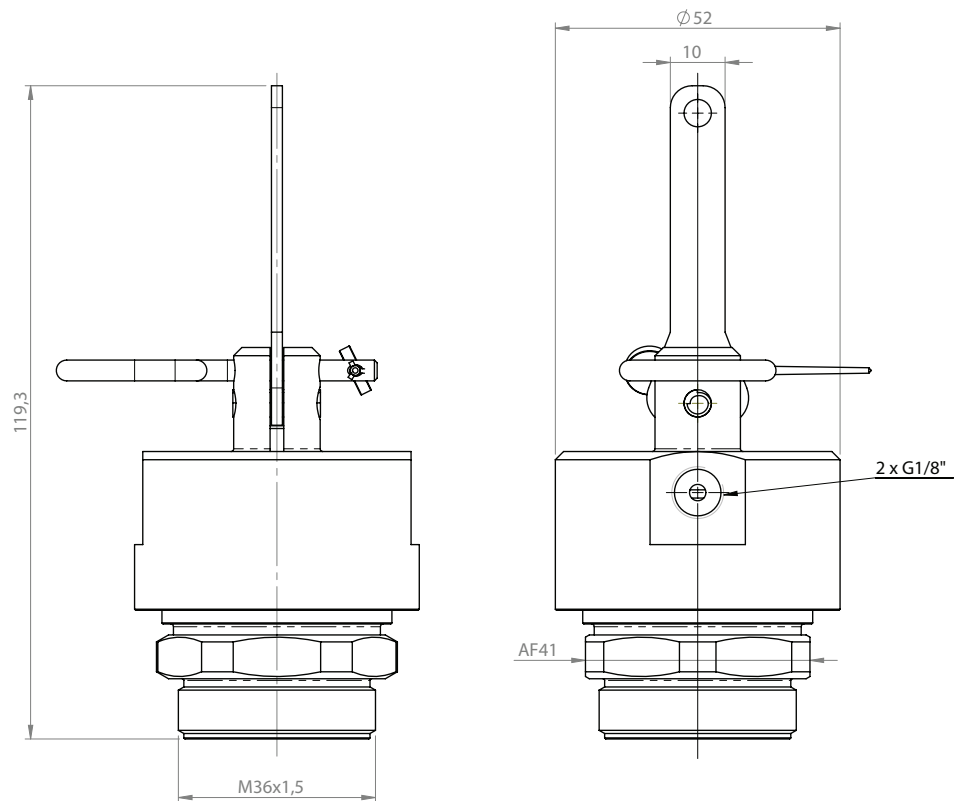


Description:

This type of control head valve operates the system cylinder through pneumatic principle, which allows the CO₂ pressure to open the valve piston in order to discharge the gas in the protected area. The provision of the lever allows the manual operation too.

Can be used in Combination with F2021002

| Specification | |
|--------------------|----------------------------|
| Material | Brass |
| Pilot Pressure min | Pmin = 8 bar for P1=300bar |
| Pilot Pressure max | Pmax = 300 bar |
| Torque | 25Nm ±2 |



Control Head Valve

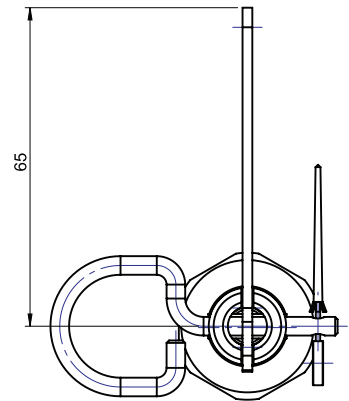
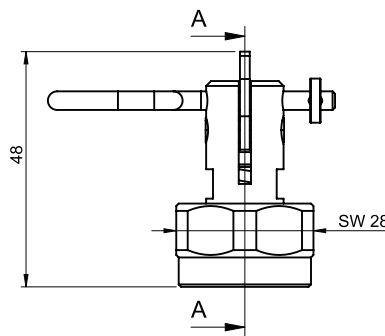
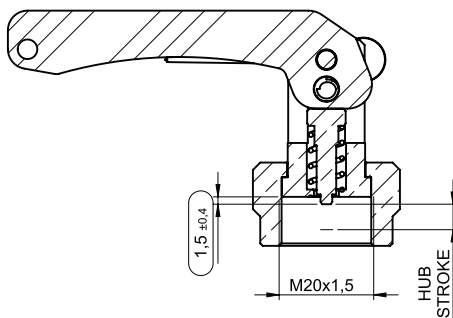
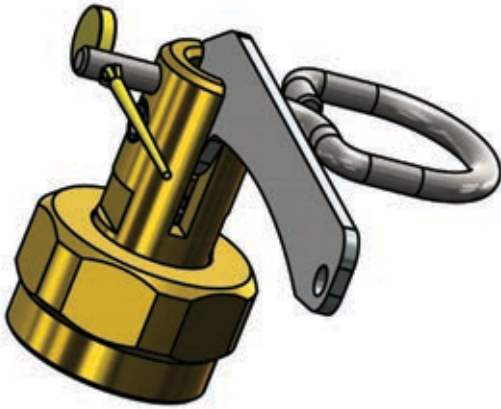
Pneumatic – Manual Release Device

P/N: F1120017

Description:

This type of control head valve operates the system cylinder through pneumatic principle, which allows the CO₂ pressure to open the valve piston in order to discharge the gas in the protected area.

Can be used in Combination with F2031002



Assembly Instruction:

Assemble the manual actuator only in inactivated state!

(Retracted pin, lever secured with safety pin!)

Screw the manual actuator on the corresponding connection port of valve F203

(Torque: 15 +_1Nm), the alignment of the lever can be orientated in any position

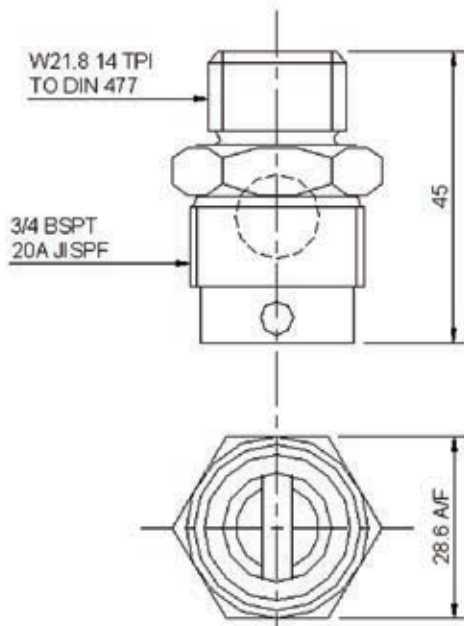
Non Return Valve

P/N: SCO-008



Description

The Check Valve is used to isolate the “Main and Reserve” supplies in a SFFECO Carbon Dioxide system. The Check Valve prevents pressurization of the “Reserve Bank” of Carbon Dioxide cylinders by blocking the flow of agent from the “Main” system discharge piping. This allows a common discharge manifold and nozzle piping network to be used on “Main and Reserve” system installations.



Specification

| | |
|---------------------|--------------|
| Valve Body Material | Brass |
| Ball | Carbon Steel |
| Maximum Pressure | 250 bar |