



شركة المصنع السعودي لأجهزة الإطفاء
SAUDI FACTORY FOR FIRE EQUIPMENT Co.

Empowering
a **Safer Future** for
the Kingdom



Electric Motor Driven Skid Units

Packaged Units with
Certified Electric Motor and
Certified Pumps

Quality Approvals for Various Products and Services

VER: 00-05/26



The Global Standard in Fire Safety

Since 1983, SFFECO has been the trusted name and a recognized global leader in manufacturing top-tier fire-fighting equipment. We don't just offer products; we provide total fire safety solutions like fire doors, fire cabinets, fire pumps, fire extinguishing systems, etc. Our commitment to excellence is certified by multiple international standards, including ISO 9001 (Quality), ISO 14001 (Environmental), and ISO 45001 (Health & Safety). With state-of-the-art facilities in Riyadh and Dubai, we ensure every product meets rigorous international quality standards.

One-Stop-Shop for Fire Protection

SFFECO is your single source for everything in fire protection and fire-fighting. Represented in over 100 countries through a vast network of dealers, our innovative approach and comprehensive, end-to-end product range deliver the full spectrum of solutions you need. We're dedicated to keeping you safe and updated, constantly integrating the latest fire-fighting technology into our knowledge and services. Choose SFFECO and get certified quality, global reach, and pioneering innovation—all in one place.



Quality Services

SFFECO is deeply committed to ensuring superior performance and accuracy in every product it delivers. This dedication is maintained through continuous, close collaboration with a wide array of stakeholders, including key certification bodies, government regulatory agencies, industry partners, and leading technology associations. This concerted effort focuses on the development and delivery of truly innovative and high-quality fire-fighting solutions. The commitment to excellence is rigorously upheld through extensive product testing and evaluation, alongside a strict, ongoing process for continued product quality compliance, guaranteeing that SFFECO's equipment operates with assured reliability when it matters most.

SFFECO is dedicated to providing fire safety products of the highest quality and performance. We achieve this by working closely with certification bodies, government regulatory agencies, industry partners, and technology associations. This collaboration ensures our innovative products are backed by extensive product testing and evaluation, and maintained through continuous quality compliance.

As global leaders since 1983, SFFECO believes in manufacturing quality products and offering exceptional service standards worldwide. Our primary goal is to reward our customers by keeping their investments safe and secure. Our manufacturing plant has steadily grown and is now equipped with modern hi-tech equipment and staffed by highly skilled professionals. With optimal ISO-certified operations, we consistently roll out products that match global standards to serve the needs of the growing fire safety market.



Empowering
a **Safer Future** for
the Kingdom



Fire Pump Skid



Electrical Motor Driven Skid Units

**Packaged Units with Certified Electric
Motor and Certified Pumps**



General Description:

SFFECO is an established and well reputed manufacturer of premium custom Electrical Motor Driven Centrifugal Fire Pump Skid Units. We specialize in designing and developing fire pump packages in accordance with NFPA 20 requirements using Listed & Approved Electric Motors and Fire Pumps.

SFFECO offers Listed Centrifugal Fire Pump Skids designed to satisfy diverse fire protection applications. All skid packages are factory assembled, pre-tested, and thoroughly inspected before dispatch to ensure dependable operation and performance.

Features:

- ❖ Driven by Listed & Approved Electric Motors
- ❖ Well aligned and coupled for direct operation
- ❖ Heavy-duty steel base plate with anchor bolt holes
- ❖ Engineered and coated hot rolled mild steel construction resistant to corrosion and abrasion
- ❖ Heavy fabricated steel base plate rigidly constructed to maintain proper alignment between pump and electric motor
- ❖ Compact skid design with small footprint ideal for retrofit projects
- ❖ High standards of material quality, construction finish, and workmanship

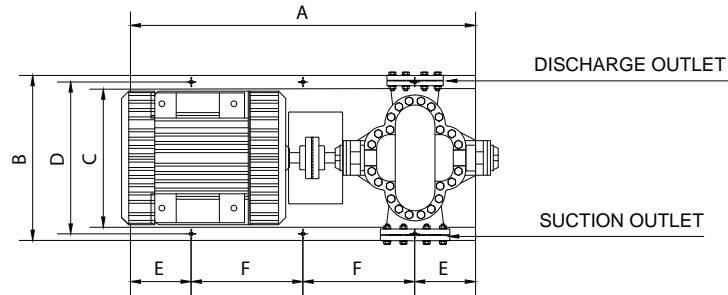
SFFECO maintains superior quality standards by integrating high efficiency Centrifugal Fire Pumps with premium Electric Motors to produce heavy-duty and reliable compact skid packages.

Our Listed and Approved Fire Pumps can also be coupled with Electric Motors of any specific brand as per customer requirements and project specifications.

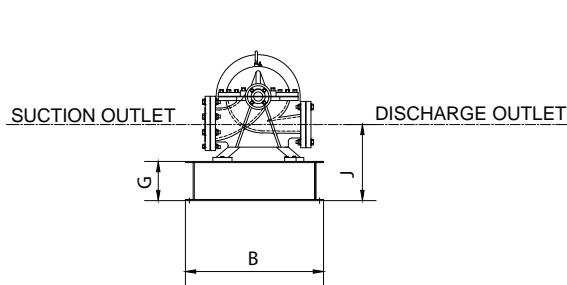
Fire Pump Skid



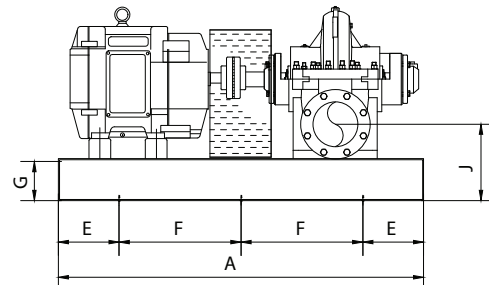
Electrical Motor Driven Skid Unit with Split Case Pump



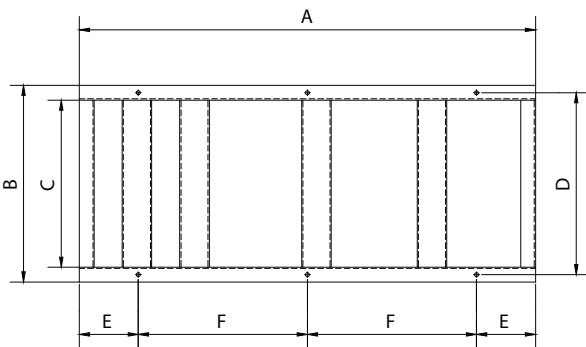
Top View



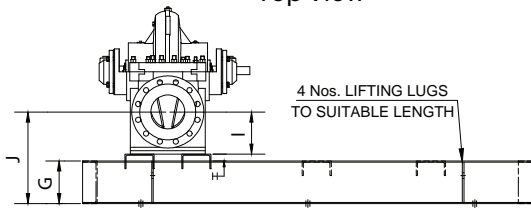
Front View



Side View



Top View



Front View

Splitcase Pump Base Dimensions(Mm)

Base	A	B	C	D	E	F	G	H	I	J
SF-A	1570	680	550	615	300	-	125X65	-	175	300
									185	310
									155	280
SF-B	1935	900	770	835	300	667.5	125X65	20	175	320
									185	330
									155	300
SF-C	2320	900	750	825	300	860	150X75	25	190	335
									200	375
									185	360
SF-D	1800	760	610	685	300	-	150X75	-	155	330
									185	335
									175	325
SF-E	2100	770	620	695	300	750	150X75	-	160	310
									155	300
									155	305
SF-F	2450	900	750	825	300	925	150X75	25	185	335
									200	350
									160	310
									155	330
									200	375

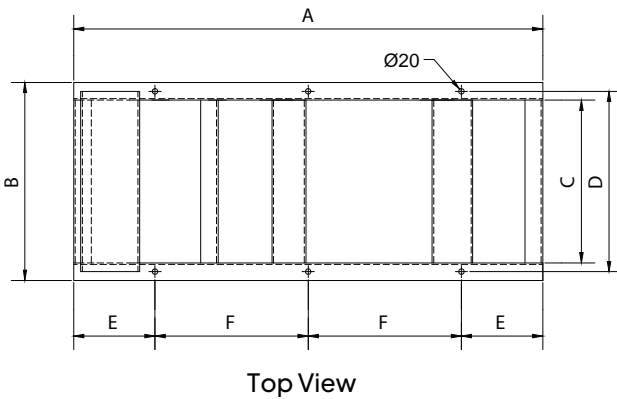
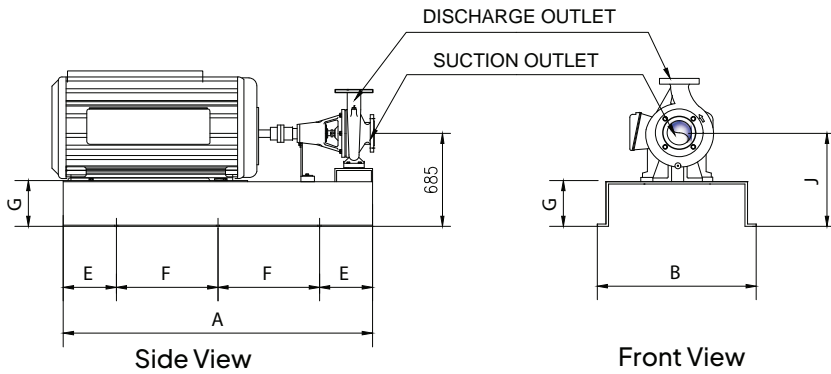
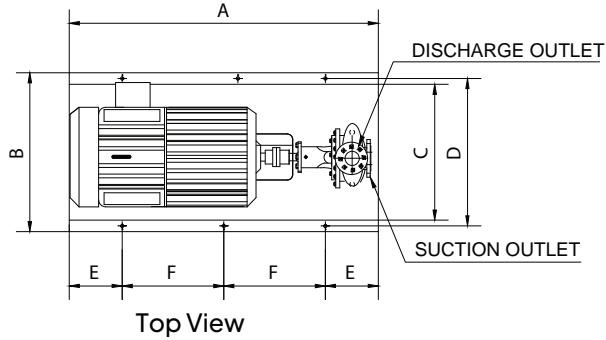
* I = PUMP SUCTION FLANGE CENTER HEIGHT.

* J = FFL TO PUMP SUCTION FLANGE CENTER HEIGHT.

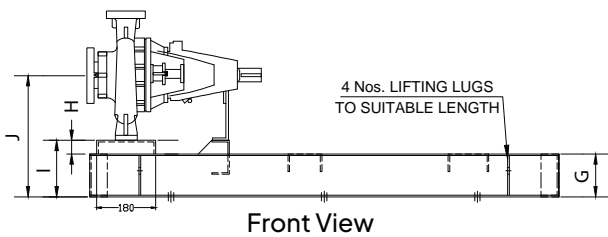
Fire Pump Skid



Electrical Motor Driven Skid Unit with End Suction Pump



Endsuction Pump Base Dimensions (Mm)										
Base	A	B	C	D	E	F	G	H	I	J
SF-H	1200	500	400	550	300	-	100X50	75	175	335
										355
										375
SF-I	1440	870	770	820	300	420	100X50	100	200	360
										380
										400
										425
SF-J	1600	850	720	785	300	500	125X65	75	200	450
										380
										400
SF-K	1750	900	770	835	300	575	125X65	75	200	425
										450
										400
SF-L	2200	900	750	825	300	800	150X75	130	280	475
										530
SF-M	1350	550	450	500	300	-	100X50	5	130	330
										305
										355
										285



* J = FFL TO PUMP SUCTION FLANGE CENTER HEIGHT.



End Suction Pump models along with base type:

PUMP MODEL	DRIVER TYPE	POWER (HP)	BASE	FFL TO PUMP SUCTION CENTER
SFP500-26EH 2G SFP750-26EH 2G SFP1000-26EH 2G SFP500-26EM 2G SFP750-26EM 2G SFP1000-26EM 2G	ELECTRIC MOTOR (Factory choice)	200	SF-K	450
		250	SF-K	450
SFP150-32EM 2G SFP200-32EM 2G SFP250-32EM 2G	ELECTRIC MOTOR (Factory choice)	25	SF-H	355
		30	SF-M	285
		40	SF-M	285
	BS04030MSF	30	SF-J	380
	BS04040TMSF	40	SF-J	380
	BS04050TMSF	50	SF-J	380
SFP400-25EM 2G SFP450-25EM 2G SFP500-25EM 2G	ELECTRIC MOTOR (Factory choice)	40	SF-M	330
		50	SF-M	330
		60	SF-M	330
		75	SF-I	425
	BS04040TMSF	40	SF-K	450
	BS04050TMSF	50	SF-K	450
	BS04056TMSF	56	SF-K	450
	BS04075MSF	75	SF-K	450
SFP400-31EM 2G SFP450-31EM 2G SFP500-31EM 2G	ELECTRIC MOTOR (Factory choice)	75	SF-J	450
		100	SF-J	450
		125	SF-J	450
	BS04075MSF	75	SF-K	450
	BS04080MSF	80	SF-K	450
	BS04100MSF	100	SF-K	450
	BS06118MSF	118	SF-L	530
	BS06147MSF	146.5	SF-L	530
SFP400-54EM-2G SFP450-54EM-2G SFP500-54EM-2G SFP750-54EM-2G SFP1000-54EM-2G	ELECTRIC MOTOR (Factory choice)	100	SF-J	450
		125	SF-J	450
		150	SF-J	450
		200	SF-K	450
	BS04080MSF	80	SF-K	450
	BS04100MSF	100	SF-K	450
	BS06118MSF	118	SF-L	530
	BS06147MSF	146.5	SF-L	530
	BS06186MSF	186	SF-L	530
	BS06210MSF	210	SF-L	530
SFP250-42EM 2G SFP300-42EM 2G SFP400-42EM 2G SFP450-42EM 2G SFP500-42EM 2G	ELECTRIC MOTOR (Factory choice)	40	SF-M	305
		50	SF-M	305
		60	SF-M	305
		75	SF-I	400
	BS04040TMSF	40	SF-K	400
	BS04050TMSF	50	SF-K	400
	BS04056TMSF	56	SF-K	400
	BS04075MSF	75	SF-K	425

PUMP MODEL	DRIVER TYPE	POWER (HP)	BASE	FFL TO PUMP SUCTION CENTER	
SFP50-20EM SFP50-20EH	BS03020MSF	20	SF-I	360	
SFP50-26EM SFP50-26EH SFP100-26EH	ELECTRIC MOTOR (Factory choice)	15	SF-H	355	
		30	SF-H	355	
	40	SF-H	355		
SFP100-26EM SFP100-42EH SFP100-40EH SFP150-26EM SFP150-42EH SFP150-26EH SFP50-26 EMA SFP50-42EH SFP50-40EH	ELECTRIC MOTOR (Factory choice)	20	SF-H	355	
		25	SF-H	355	
		30	SF-H	355	
		50	SF-H	355	
	60	SF-H	355		
	BS03020MSF	20	SF-I	380	
	BS04030MSF	30	SF-I	380	
	SFP100-50EH SFP150-20EHA SFP200-20EHA SFP50-20EHA SFP50-20EM 2G SFP100-20EM 2G SFP150-20EM 2G	ELECTRIC MOTOR (Factory choice)	15	SF-H	355
20			SF-H	355	
25			SF-H	355	
30			SF-H	355	
40			SF-H	355	
SFP250-20EH SFP300-20EH SFP200-20EH SFP100-20EHB SFP100-20EHB SFP50-20EHB SFP150-65EM 2G SFP200-65EM 2G SFP250-65EM 2G SFP300-65EM 2G	ELECTRIC MOTOR (Factory choice)	20	SF-H	355	
		25	SF-H	355	
		30	SF-H	355	
		40	SF-H	355	
50	SF-H	355			
BS03020MSF	20	SF-I	380		
BS04030MSF	30	SF-I	380		
SFP200-65EM SFP250-26EM SFP300-26EM	ELECTRIC MOTOR (Factory choice)	40	SF-H	375	
		50	SF-M	305	
		BS04040TMSF	40	SF-J	400
		BS04050TMSF	50	SF-J	400
BS04056TMSF	56	SF-J	400		
SFP400-26EH SFP450-26EH SFP500-26EH	ELECTRIC MOTOR (Factory choice)	50	SF-M	305	
		60	SF-M	305	
		75	SF-I	400	
		100	SF-I	400	
		125	SF-J	400	
SFP500-13EM SFP750-32EM	ELECTRIC MOTOR (Factory choice)	125	SF-J	450	
		150	SF-J	450	
		200	SF-K	450	
		BS06118MSF	118	SF-L	530
	BS06147MSF	146.5	SF-L	530	
	BS06186MSF	186	SF-L	530	
	BS06210MSF	210	SF-L	530	
	SFP500-12EM SFP750-26EM	ELECTRIC MOTOR (Factory choice)	100	SF-I	425
100			SF-K	425	
SFP500-20EH 2G SFP750-20EH 2G SFP1000-20EH 2G SFP500-20EM 2G SFP750-20EM 2G SFP1000-20EM 2G	ELECTRIC MOTOR (Factory choice)	60	SF-M	355	
		75	SF-I	450	
		100	SF-I	450	
		125	SF-J	450	
	150	SF-J	450		
	200	SF-K	450		
	BS04040TMSF	40	SF-J	450	
	BS04050TMSF	50	SF-J	450	
BS04056TMSF	56	SF-J	450		
BS04075MSF	75	SF-K	450		
BS04100MSF	100	SF-K	450		
SFP400-80EH SFP450-80EH SFP500-26EM	ELECTRIC MOTOR (Factory choice)	50	SF-M	305	
		60	SF-M	305	
		75	SF-I	400	
		100	SF-I	400	
125	SF-J	400			

Standard Features:

- proposed pump base skid dimension only applicable for standard pump selection sheet only (Version 2.2: 15th July 2024).
- proposed pump base skid dimension based on standard flow & head points only.
- Proposed Electric pump (HES) with Motor base skid dimension selection based on ODP Motor only.
- Proposed Electric pump (HES) with Motor base skid dimension selection based on Standard voltage (380/400/415V: 50/60HZ) only.
- Diesel Pump based Skid dimension based on standard elevation (300ft) & 25deg.c.ambient temp only.

Special Requirements: kindly check with SFFECO GLOBAL Team.

- For Electric Pump (HES) with TEFC Motor skid dimension based on Special Requirement and subject to change.
- If any requirement 208/220/230/240V & 440/460/480V Subject to customized.
- If any more than 300HP Electric Motor pump base skid dimension, subject to customized
- If any deration factor (more than 300ft elevation level with 25deg.c.ambient temp) subject to customized and check with SFFECO Team.
- If any intermediate head points (Other than the pump selection sheet V.2.2) subject to check and revise.

Fire Pump Skid



Split Case Pump models along with base type:

PUMP MODEL	DRIVER TYPE	POWER (HP)	BASE	FFL TO PUMP SUCTION CENTER
40SM	ELECTRIC MOTOR (Factory choice)	150	SF-E	305
		200	SF-E	305
		250	SF-E	305
		300	SF-E	305
	BS06147MSF	146.5	SF-F	330
	BS06186MSF	186	SF-F	330
	BS06210MSF	210	SF-F	330
29SM/12SH	ELECTRIC MOTOR (Factory choice)	200	SF-E	350
		250	SF-E	350
		300	SF-E	350
		350	SF-C	375
	BS06186MSF	186	SF-F	375
BS06210MSF	210	SF-F	375	
BS06272MSF	271.5	SF-F	375	
30SM	ELECTRIC MOTOR (Factory choice)	125	SF-E	350
		150	SF-E	350
		200	SF-E	350
		250	SF-E	350
	BS04100MSF	100	SF-F	375
	BS06147MSF	146.5	SF-F	375
	BS06186MSF	186	SF-F	375
	BS06210MSF	210	SF-F	375
BS06272MSF	271.5	SF-F	375	
36SM	ELECTRIC MOTOR (Factory choice)	200	SF-E	350
		250	SF-E	350
		300	SF-E	350
	BS06210MSF	210	SF-F	375
BS06272MSF	271.5	SF-F	375	
29SM-2G/15SH	ELECTRIC MOTOR (Factory choice)	200	SF-B	335
		250	SF-B	335
		300	SF-B	365
	BS06186MSF	186	SF-F	375
	BS06210MSF	210	SF-F	375
BS06272MSF	271.5	SF-F	375	

Standard Features:

- proposed pump base skid dimension only applicable for standard pump selection sheet only (Version 2.2: 15th July 2024).
- proposed pump base skid dimension based on standard flow & head points only.
- Proposed Electric pump (HSC) with Motor base skid dimension selection based on ODP Motor only.
- Proposed Electric pump (HSC) with Motor base skid dimension selection based on Standard voltage (380/400/415V: 50/60HZ) only.
- Diesel Pump based Skid dimension based on standard elevation (300ft) & 25deg.c.ambient temp only.

Special Requirements: kindly check with SFFECO Team.

- For Electric Pump (HSC) with TEFC Motor skid dimension based on Special Requirement and subject to change.
- If any requirement 208/220/230/240V & 440/460/480V Subject to customized.
- If any more than 300HP Electric Motor pump base skid dimension, subject to customized
- If any deration factor (more than 300ft elevation level with 25deg.c.ambient temp) subject to customized and check with SFFECO Team.
- For low speed RPM pump (1480/1500/1760/1800) with Electric Motor & Diesel Engine customized and check with SFFECO Team.
- If any intermediate head points (Other than the pump selection sheet V.2.2) subject to check and revise.

PUMP MODEL	DRIVER TYPE	POWER (HP)	BASE	FFL TO PUMP SUCTION CENTER
28SM	ELECTRIC MOTOR (Factory choice)	40	SF-A	300
		50	SF-A	300
		60	SF-A	300
		75	SF-A	300
		100	SF-A	300
	BS04040TMSF	40	SF-B	320
	BS04050TMSF	50	SF-B	320
	BS04056TMSF	56	SF-B	320
	BS04075MSF	75	SF-B	320
	BS04080MSF	80	SF-B	320
BS04100MSF	100	SF-B	320	
25SH	ELECTRIC MOTOR (Factory choice)	60	SF-A	310
		75	SF-A	310
		100	SF-A	310
		125	SF-A	310
		150	SF-D	335
31SM	ELECTRIC MOTOR (Factory choice)	200	SF-D	335
		100	SF-A	310
		125	SF-A	310
		150	SF-A	310
	200	SF-B	330	
	BS04080MSF/BS04080MSF	80-100	SF-B	330
	BS06118MSF	118	SF-C	360
	BS06147MSF	146.5	SF-C	360
BS06186MSF	186	SF-C	360	
31SH	ELECTRIC MOTOR (Factory choice)	100	SF-A	310
		125	SF-D	335
		150	SF-D	335
		200	SF-D	335
		250	SF-D	335
32SM	ELECTRIC MOTOR (Factory choice)	300	SF-E	335
		100	SF-D	335
		125	SF-D	335
		200	SF-E	335
		BS04100MSF	100	SF-B
BS06147MSF	146.5	SF-C	360	
37SM-2G	ELECTRIC MOTOR (Factory choice)	150	SF-D	335
		200	SF-D	335
		250	SF-D	335
	BS06147MSF	146.5	SF-C	360
	BS06186MSF	186	SF-C	360
	BS06210MSF	210	SF-C	360
BS06272MSF	271.5	SF-C	360	
35SM	ELECTRIC MOTOR (Factory choice)	75	SF-A	280
		100	SF-A	280
		125	SF-D	305
	BS04075MSF	75	SF-B	300
	BS04080MSF	80	SF-B	300
BS04100MSF	100	SF-B	300	
BS06118MSF	118	SF-C	330	



Since 1983, SFFECO has been a trusted name in fire protection, known for innovation and quality worldwide.

With state-of-the-art facilities in Riyadh and Dubai, we deliver a complete range of firefighting solutions that meet international standards.

Our innovative approach and comprehensive product portfolio make SFFECO the one-stop destination for reliable fire protection products and services.

شركة المصنع السعودي لأجهزة الإطفاء SAUDI FACTORY FOR FIRE EQUIPMENT Co.

FACTORY & HEAD OFFICE - RIYADH

2nd Industrial Area, Al-Kharj Road, Riyadh, KSA, P.O. Box: 58469, Riyadh 11515
Tel : +966 11 2650070, E-mail: riyadh@sffeco.com.sa

JEDDAH BRANCH

P.O. Box: 16769, Jeddah - 21474, KSA
Tel : +966 12 670 6009,
E-mail: jeddah@sffeco.com.sa

DAMMAM BRANCH

P.O. Box: 7162, Dammam - 31462, KSA
Tel : +966 13 8351961,
E-mail: dammam@sffeco.com.sa

MADINAH BRANCH

Tel : 0148660959, 0148283256,
E-mail: madinah@sffeco.com.sa

